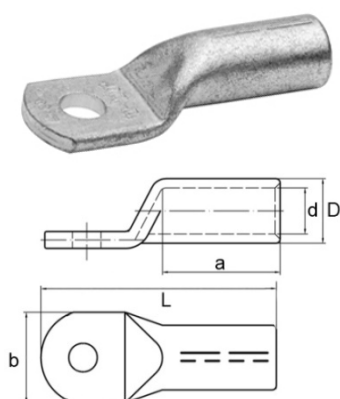




A1

Copper Compression Lugs and Joints





DIN Compression Cable Lugs

Features

- Manufactured according to DIN 46235
- With marking for correct crimping

Material

- E-Cu 99.9%

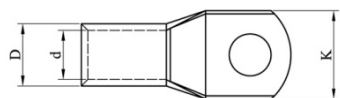
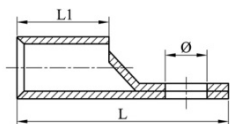
Surface

- Tin plated

Part No.	Item	Cross Section mm ²	Size of Bolt Φ	Dimensions(mm)				
				D	d	a	b	L
A01011	DCL 6-5	6	M 5	5.5	3.8	10.0	8.5	30.5
A01012	DCL 6-6		M 6	5.5	3.8	10.0	8.5	31.5
A01013	DCL 6-8		M 8	5.5	3.8	10.0	13.0	34.0
A01014	DCL 10-5	10	M 5	6.0	4.5	10.0	9.0	34.0
A01015	DCL 10-6		M 6	6.0	4.5	10.0	9.0	34.5
A01016	DCL 10-8		M 8	6.0	4.5	10.0	13.0	37.0
A01017	DCL 10-10	16	M 10	6.0	4.5	10.0	15.0	39.0
A01018	DCL 16-6		M 10	8.5	5.5	20.0	13.0	43.5
A01019	DCL 16-8		M 8	8.5	5.5	20.0	13.0	46.0
A010110	DCL 16-10	25	M 10	8.5	5.5	20.0	17.0	48.0
A010111	DCL 16-12		M 12	8.5	5.5	20.0	18.0	49.0
A010112	DCL 25-6		M 6	10.0	7.0	20.0	14.0	45.5
A010113	DCL 25-8	35	M 8	10.0	7.0	20.0	16.0	48.0
A010114	DCL 25-10		M 10	10.0	7.0	20.0	17.0	50.0
A010115	DCL 25-12		M 12	10.0	7.0	20.0	19.0	51.0
A010116	DCL 35-6	50	M 6	12.5	8.2	20.0	17.0	49.5
A010117	DCL 35-8		M 8	12.5	8.2	20.0	17.0	52.0
A010118	DCL 35-10		M 10	12.5	8.2	20.0	19.0	54.0
A010119	DCL 35-12	70	M 12	12.5	8.2	20.0	21.0	55.0
A010120	DCL 35-14		M 14	12.5	8.2	20.0	21.0	56.5
A010121	DCL 50-8		M 8	14.5	10.0	28.0	20.0	62.0
A010122	DCL 50-10	50	M 10	14.5	10.0	28.0	22.0	64.0
A010123	DCL 50-12		M 12	14.5	10.0	28.0	24.0	65.0
A010124	DCL 50-14		M 14	14.5	10.0	28.0	24.0	66.5
A010125	DCL 50-16	70	M 16	14.5	10.0	28.0	28.0	68.0
A010126	DCL 70-8		M 8	16.5	11.5	28.0	24.0	65.0
A010127	DCL 70-10		M 10	16.5	11.5	28.0	24.0	67.0
A010128	DCL 70-12	70	M 12	16.5	11.5	28.0	24.0	68.0
A010129	DCL 70-14		M 14	16.5	11.5	28.0	24.0	69.5
A010130	DCL 70-16		M 16	16.5	11.5	28.0	30.0	71.0

DIN Compression Cable Lugs

Part No.	Item	Cross Section mm ²	Size of Bolt Φ	Dimensions(mm)				
				D	d	a	b	L
A010131	DCL 95-8	95	M 8	19.0	13.5	35.0	28.0	77.0
A010132	DCL 95-10		M 10	19.0	13.5	35.0	28.0	77.0
A010133	DCL 95-12		M 12	19.0	13.5	35.0	28.0	78.0
A010134	DCL 95-14		M 14	19.0	13.5	35.0	28.0	79.5
A010135	DCL 95-16		M 16	19.0	13.5	35.0	32.0	81.0
A010136	DCL 120-10	120	M 10	21.0	15.5	35.0	32.0	85.0
A010137	DCL 120-12		M 12	21.0	15.5	35.0	32.0	86.0
A010138	DCL 120-14		M 14	21.0	15.5	35.0	32.0	88.0
A010139	DCL 120-16		M 16	21.0	15.5	35.0	32.0	89.0
A010140	DCL 120-20		M 20	21.0	15.5	35.0	38.0	91.0
A010141	DCL 150-10	150	M 10	23.5	17.0	35.0	34.0	93.0
A010142	DCL 150-12		M 12	23.5	17.0	35.0	34.0	94.0
A010143	DCL 150-14		M 14	23.5	17.0	35.0	34.0	97.0
A010144	DCL 150-16		M 16	23.5	17.0	35.0	34.0	97.0
A010145	DCL 150-20		M 20	23.5	17.0	35.0	40.0	99.0
A010146	DCL 185-10	185	M 10	25.5	19.0	40.0	37.0	97.0
A010147	DCL 185-12		M 12	25.5	19.0	40.0	37.0	98.0
A010148	DCL 185-14		M 14	25.5	19.0	40.0	37.0	101.0
A010149	DCL 185-16		M 16	25.5	19.0	40.0	37.0	101.0
A010150	DCL 185-20		M 20	25.5	19.0	40.0	40.0	103.0
A010151	DCL 240-12	240	M 12	29.0	21.5	40.0	42.0	108.0
A010152	DCL 240-14		M 14	29.0	21.5	40.0	42.0	111.0
A010153	DCL 240-16		M 16	29.0	21.5	40.0	42.0	111.0
A010154	DCL 240-20		M 20	29.0	21.5	40.0	45.0	113.0
A010155	DCL 300-12	300	M 12	32.0	24.5	50.0	46.0	119.0
A010156	DCL 300-14		M 14	32.0	24.5	50.0	46.0	119.0
A010157	DCL 300-16		M 16	32.0	24.5	50.0	46.0	119.0
A010158	DCL 300-20		M 20	32.0	24.5	50.0	46.0	122.0
A010159	DCL 400-14	400	M 14	38.5	27.5	70.0	55.0	140.0
A010160	DCL 400-16		M 16	38.5	27.5	70.0	55.0	140.0
A010161	DCL 400-20		M 20	38.5	27.5	70.0	55.0	140.0
A010162	DCL 500-16	500	M 16	42.0	31.0	70.0	60.0	150.0
A010163	DCL 500-20		M 20	42.0	31.0	70.0	60.0	150.0
A010164	DCL 625-16	630	M 16	44.0	34.5	80.0	64.0	160.0
A010165	DCL 625-20		M 20	44.0	34.5	80.0	64.0	160.0
A010166	DCL 800-16	800	M 16	52.0	40.0	100.0	75.0	195.0
A010167	DCL 800-20		M 20	52.0	40.0	100.0	75.0	195.0
A010168	DCL 1000-16	1000	M 16	58.0	44.0	100.0	85.0	195.0
A010169	DCL 1000-20		M 20	58.0	44.0	100.0	85.0	195.0



Compression Cable Lugs, A Type

Features

- With a half-round viewing window to check the conductor location
- Middle length of barrel

Material

- E-Cu 99.9%

Surface

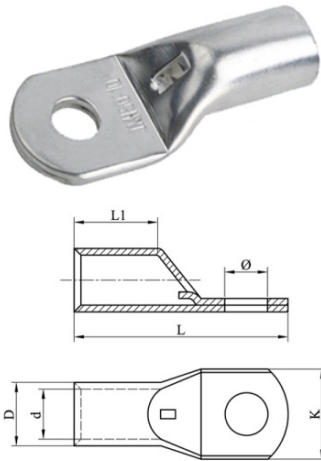
- Tin plated

Part No.	Item	Cross Section mm ²	Size of Bolt Φ	Dimensions(mm)						
				L	L1	D	d	Φ	K	
A010201	MCLA 1.5-4	1.5	M 4	18.0	6.5	3.1	1.9	4.3	7.5	
A010202	MCLA 1.5-5		M 5	18.0	6.5	3.1	1.9	5.2	8.0	
A010203	MCLA 1.5-6		M 6	18.0	6.5	3.4	1.9	6.5	9.0	
A010204	MCLA 2.5-4	2.5	M 4	19.0	7.0	4.0	2.8	4.3	8.0	
A010205	MCLA 2.5-5		M 5	20.0	7.0	4.0	2.8	5.2	8.0	
A010206	MCLA 2.5-6		M 6	20.0	7.0	4.0	2.6	6.5	9.0	
A010207	MCLA 4-4	4	M 4	19.5	7.5	4.5	3.2	4.3	8.0	
A010208	MCLA 4-5		M 5	20.5	7.5	4.5	3.2	5.2	8.0	
A010209	MCLA 4-6		M 6	22.0	7.5	4.5	3.2	6.5	9.3	
A010210	MCLA 6-4	6	M 4	22.0	8.0	5.1	3.7	4.3	9.2	
A010211	MCLA 6-5		M 5	22.0	8.0	5.1	3.7	5.2	9.2	
A010212	MCLA 6-6		M 6	23.0	8.0	5.1	3.7	6.5	9.8	
A010213	MCLA 6-8	6	M 8	24.0	8.0	5.3	3.7	8.5	12.0	
A010214	MCLA 6-10		M 10	24.0	8.0	5.3	3.7	10.3	12.8	
A010216	MCLA 10-6		M 6	24.0	9.0	6.1	4.5	6.5	10.3	
A010217	MCLA 10-8	10	M 8	25.0	9.0	6.1	4.5	8.5	12.0	
A010218	MCLA 10-10		M 10	26.5	9.0	6.3	4.5	10.3	13.2	
A010219	MCLA 16-6		16	M 6	27.5	11.0	7.3	5.7	6.5	11.0
A010220	MCLA 16-8	M 8		29.5	11.0	7.3	5.7	8.5	12.5	
A010221	MCLA 16-10	M 10		30.0	11.0	7.5	5.7	10.5	14.0	
A010222	MCLA 25-6	25	M 6	32.5	13.5	9.0	7.2	6.5	13.1	
A010223	MCLA 25-8		M 8	33.0	13.5	9.0	7.2	8.5	13.1	
A010224	MCLA 25-10		M 10	34.0	13.5	9.0	7.2	10.5	14.5	
A010225	MCLA 25-12	25	M 12	37.0	13.5	9.0	7.2	13.0	16.5	
A010226	MCLA 35-6		35	M 6	36.0	14.5	10.8	8.5	6.5	15.8
A010227	MCLA 35-8			M 8	37.0	14.5	10.8	8.5	8.5	15.8
A010228	MCLA 35-10	M 10		38.0	14.5	10.8	8.5	10.5	15.8	
A010229	MCLA 35-12	35	M 12	38.0	14.5	10.8	8.5	13.0	17.4	
A010230	MCLA 50-6		50	M 6	41.0	17.0	12.5	9.8	6.5	18.1
A010231	MCLA 50-8			M 8	42.5	17.0	12.5	9.8	8.5	18.1
A010232	MCLA 50-10	M 10		44.0	17.0	12.5	9.8	10.5	18.1	
A010233	MCLA 50-12	50	M 12	44.0	17.0	12.5	9.8	13.0	18.3	
A010234	MCLA 50-14		M 14	44.0	17.0	12.5	9.8	15.0	18.3	
A010235	MCLA 70-6		70	M 6	48.5	19.5	14.5	11.5	6.5	21.0
A010236	MCLA 70-8	M 8		48.5	19.5	14.5	11.5	8.5	21.0	
A010237	MCLA 70-10	M 10		50.0	19.5	14.5	11.5	10.5	21.0	
A010238	MCLA 70-12	70	M 12	50.0	19.5	14.5	11.5	13.0	21.0	
A010239	MCLA 70-14		M 14	50.0	19.5	14.5	11.5	15.0	21.0	
A010240	MCLA 70-16		M 16	50.0	19.5	14.5	11.5	17.0	23.0	

Compression Cable Lugs, A Type

Part No.	Item	Cross Section mm ²	Size of Bolt Φ	Dimensions(mm)					
				L	L1	D	d	Φ	K
A010241	MCLA 95-8	95	M 14	57.0	23.5	17.0	13.7	8.5	24.8
A010242	MCLA 95-10		M 8	57.0	23.5	17.0	13.7	10.5	24.8
A010243	MCLA 95-12		M 10	57.0	23.5	17.0	13.7	13.0	24.8
A010244	MCLA 95-14		M 12	57.0	23.5	17.0	13.7	15.0	24.8
A010245	MCLA 95-16		M 14	57.0	23.5	17.0	13.7	17.0	26.0
A010246	MCLA 120-8	120	M 8	61.5	26.0	19.0	15.0	8.5	27.5
A010247	MCLA 120-10		M 10	61.5	26.0	19.0	15.0	10.5	27.5
A010248	MCLA 120-12		M 12	63.0	26.0	19.0	15.0	13.0	27.5
A010249	MCLA 120-14		M 14	63.0	26.0	19.0	15.0	15.0	27.5
A010250	MCLA 120-16		M 16	63.5	26.0	19.0	15.0	17.0	27.5
A010251	MCLA 120-20	150	M 20	67.5	26.0	19.0	15.0	21.0	32.0
A010252	MCLA 150-8		M 8	71.0	29.0	21.0	16.7	8.5	30.0
A010253	MCLA 150-10		M 10	71.0	29.0	21.0	16.7	10.5	30.0
A010254	MCLA 150-12		M 12	71.0	29.0	21.0	16.7	13.0	30.0
A010255	MCLA 150-14		M 14	71.0	29.0	21.0	16.7	15.0	30.0
A010256	MCLA 150-16	185	M 16	71.0	29.0	21.0	16.7	17.0	30.0
A010257	MCLA 150-20		M 20	71.0	29.0	21.0	16.7	21.0	30.0
A010258	MCLA 185-10		M 10	77.0	32.0	23.5	19.2	10.5	34.0
A010259	MCLA 185-12		M 12	77.0	32.0	23.5	19.2	13.0	34.0
A010260	MCLA 185-14		M 14	77.5	32.0	23.5	19.2	15.0	34.0
A010261	MCLA 185-16	240	M 16	79.0	32.0	23.5	19.2	17.0	34.0
A010262	MCLA 185-18		M 18	79.0	32.0	23.5	19.2	18.7	34.0
A010263	MCLA 185-20		M 20	79.0	32.0	23.5	19.2	21.0	34.0
A010264	MCLA 240-10		M 10	89.5	40.0	26.0	21.0	10.5	37.4
A010265	MCLA 240-12		M 12	89.5	40.0	26.0	21.0	13.0	37.4
A010266	MCLA 240-14	300	M 14	90.0	40.0	26.0	21.0	15.0	37.4
A010267	MCLA 240-16		M 16	91.0	40.0	26.0	21.0	17.0	37.4
A010268	MCLA 240-20		M 20	92.0	40.0	26.0	21.0	21.0	37.4
A010269	MCLA 300-10		M 10	100.0	44.0	30.0	24.0	10.5	43.2
A010270	MCLA 300-12		M 12	100.0	44.0	30.0	24.0	13.0	43.2
A010272	MCLA 300-16	400	M 16	100.0	44.0	30.0	24.0	17.0	43.2
A010273	MCLA 300-20		M 20	102.0	44.0	30.0	24.0	21.0	43.2
A010274	MCLA 300-22		M 22	102.0	44.0	30.0	24.0	23.0	43.2
A010277	MCLA 400-12		M 12	111.0	46.0	34.0	27.0	13.0	49.0
A010278	MCLA 400-16		M 16	111.0	46.0	34.0	27.0	17.0	49.0
A010279	MCLA 400-18	500	M 18	113.0	46.0	34.0	27.0	18.7	49.0
A010280	MCLA 400-20		M 20	113.0	46.0	34.0	27.0	21.0	49.0
A010283	MCLA 500-16		M 16	123.0	50.0	38.0	30.0	17.0	55.0
A010284	MCLA 500-20		M 20	123.0	50.0	38.0	30.0	21.0	55.0
A010289	MCLA 630-14		630	M 16	135.0	60.0	44.0	35.0	15.0
A010290	MCLA 630-16	M 20		135.0	60.0	44.0	35.0	17.0	64.0
A010291	MCLA 630-20	M 22		135.0	60.0	44.0	35.0	21.0	64.0
A010292	MCLA 630-22	M16		135.0	60.0	44.0	35.0	23.0	64.0
A010294	MCLA 800-16	800		M16	170.0	71.0	50.0	39.0	17.0
A010295	MCLA 800-20		M 20	170.0	71.0	50.0	39.0	21.0	71.5
A010296	MCLA 800-22		M 22	170.0	71.0	50.0	39.0	23.0	71.5
A010297	MCLA 1000		BLANK	200.0	87.0	56.0	44.0	-	81.0
A010298	MCLA 1000-20		1000	M 20	200.0	87.0	56.0	44.0	21.0
A010299	MCLA 1000-22	M 22		200.0	87.0	56.0	44.0	23.0	81.0

Compression Cable Lugs, B Type



Features

- With a square viewing window to check the conductor location
- Middle length of barrel

Material

- E-Cu 99.9%

Surface

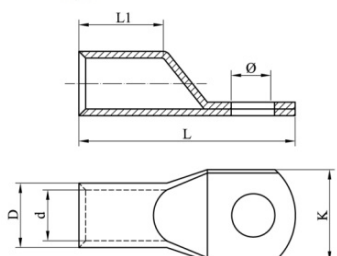
- Tin plated

Part No.	Item	Cross Section mm ²	Size of Bolt Φ	Dimensions(mm)					
				L	L1	D	d	Φ	K
A010301	MCLB 6-5	6	M 5	25.0	8.0	5.1	3.7	5.2	9.2
A010302	MCLB 6-6		M 6	25.0	8.0	5.1	3.7	6.5	9.8
A010303	MCLB 6-8		M 8	25.0	8.0	5.3	3.7	8.5	12.0
A010304	MCLB 10-5	10	M 5	26.0	9.0	6.1	4.5	5.2	10.3
A010305	MCLB 10-6		M 6	26.0	9.0	6.1	4.5	6.5	10.3
A010306	MCLB 10-8		M 8	26.0	9.0	6.1	4.5	8.5	12.0
A010307	MCLB 10-10	16	M 10	28.0	9.0	6.3	4.5	10.3	13.2
A010308	MCLB 16-5		M 5	30.5	11.0	7.3	5.7	5.3	11.0
A010309	MCLB 16-6		M 6	28.5	11.0	7.3	5.7	6.5	11.0
A010310	MCLB 16-8	16	M 8	30.5	11.0	7.3	5.7	8.5	12.5
A010311	MCLB 16-10		M 10	31.0	11.0	7.5	5.7	10.5	14.0
A010312	MCLB 25-6		M 6	35.0	13.5	9.0	7.2	6.5	13.1
A010313	MCLB 25-8	25	M 8	35.0	13.5	9.0	7.2	8.5	13.1
A010314	MCLB 25-10		M 10	35.0	13.5	9.0	7.2	10.5	14.5
A010315	MCLB 35-6		M 6	37.5	14.5	10.8	8.5	6.5	15.8
A010316	MCLB 35-8	35	M 8	38.0	14.5	10.8	8.5	8.5	15.8
A010317	MCLB 35-10		M 10	39.0	14.5	10.8	8.5	10.5	15.8
A010318	MCLB 35-12		M 12	39.0	14.5	10.8	8.5	13.0	17.4
A010319	MCLB 50-6	50	M 6	43.5	17.0	12.5	9.8	6.5	18.1
A010320	MCLB 50-8		M 8	45.0	17.0	12.5	9.8	8.5	18.1
A010321	MCLB 50-10		M 10	45.0	17.0	12.5	9.8	10.5	18.1
A010322	MCLB 50-12	70	M 12	45.0	17.0	12.5	9.8	13.0	18.3
A010323	MCLB 50-14		M 14	45.0	17.0	12.5	9.8	15.0	18.3
A010324	MCLB 70-8		M 8	50.0	19.5	14.5	11.5	8.5	21.0
A010325	MCLB 70-10	70	M 10	51.5	19.5	14.5	11.5	10.5	21.0
A010326	MCLB 70-12		M 12	51.5	19.5	14.5	11.5	13.0	21.0
A010327	MCLB 95-8		M 8	58.5	23.5	17.0	13.7	8.5	24.8
A010328	MCLB 95-10	95	M 10	58.5	23.5	17.0	13.7	10.5	24.8
A010329	MCLB 95-12		M 12	58.5	23.5	17.0	13.7	13.0	24.8
A010330	MCLB 95-14		M 14	59.0	23.5	17.0	13.7	15.0	24.8

Compression Cable Lugs, B Type

Part No.	Item	Cross Section mm ²	Size of Bolt Φ	Dimensions(mm)					
				L	L1	D	d	Φ	K
A010331	MCLB 120-10	120	M 10	63.5	26.0	19.0	15.0	10.5	27.5
A010332	MCLB 120-12		M 12	65.0	26.0	19.0	15.0	13.0	27.5
A010333	MCLB 120-14		M 14	65.0	26.0	19.0	15.0	15.0	27.5
A010334	MCLB 120-16		M 16	66.5	26.0	19.0	15.0	17.0	27.5
A010335	MCLB 120-20		M 20	70.5	26.0	19.0	15.0	21.0	27.5
A010336	MCLB 150-10	150	M 10	73.0	29.0	21.0	16.7	10.5	30.0
A010337	MCLB 150-12		M 12	73.0	29.0	21.0	16.7	13.0	30.0
A010338	MCLB 150-14		M 14	73.0	29.0	21.0	16.7	15.0	30.0
A010339	MCLB 150-16		M 16	73.0	29.0	21.0	16.7	17.0	30.0
A010340	MCLB 185-10	185	M 10	80.0	32.0	23.5	19.2	10.5	34.0
A010341	MCLB 185-12		M 12	80.0	32.0	23.5	19.2	13.0	34.0
A010342	MCLB 185-14		M 14	80.0	32.0	23.5	19.2	15.0	34.0
A010343	MCLB 185-16		M 16	80.0	32.0	23.5	19.2	17.0	34.0
A010344	MCLB 240-12	240	M 12	92.5	40.0	26.0	21.0	13.0	37.4
A010345	MCLB 240-14		M 14	92.5	40.0	26.0	21.0	15.0	37.4
A010346	MCLB 240-16		M 16	92.5	40.0	26.0	21.0	17.0	37.4
A010347	MCLB 240-20		M 20	94.5	40.0	26.0	21.0	21.0	37.4
A010348	MCLB 300-12	300	M 12	102.0	44.0	30.0	24.0	13.0	43.2
A010349	MCLB 300-14		M 14	102.0	44.0	30.0	24.0	15.0	43.2
A010350	MCLB 300-16		M 16	102.0	44.0	30.0	24.0	17.0	43.2
A010351	MCLB 300-20		M 20	105.0	44.0	30.0	24.0	21.0	43.2
A010352	MCLB 400-16	400	M 16	114.0	46.0	34.0	27.0	17.0	49.0
A010353	MCLB 400-20		M 20	116.0	46.0	34.0	27.0	21.0	49.0
A010354	MCLB 500-16	500	M 16	127.0	50.0	38.0	30.0	17.0	55.0
A010355	MCLB 500-20		M 20	127.0	50.0	38.0	30.0	21.0	55.0
A010356	MCLB 630-16	630	M 16	140.0	60.0	44.0	35.0	17.0	64.0
A010357	MCLB 630-20		M 20	140.0	60.0	44.0	35.0	21.0	64.0
A010358	MCLB 630-22		M 22	140.0	60.0	44.0	35.0	23.0	64.0
A010359	MCLB 800-22	800	M 22	170.0	71.0	50.0	39.0	23.0	71.5
A010360	MCLB 1000-22	1000	M 22	200.0	87.0	56.0	44.0	23.0	81.0

Compression Cable Lugs, C Type



Features

- Without viewing window
- Middle length of barrel

Material

- E-Cu 99.9%

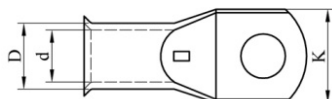
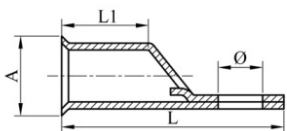
Surface

- Tin plated

Part No.	Item	Cross Section mm ²	Size of Bolt Φ	Dimensions(mm)					
				L	L1	D	d	Φ	K
A010401	MCLC 4-4	4	M 4	19.5	7.5	4.5	3.2	4.3	8.0
A010402	MCLC 4-5		M 5	20.5	7.5	4.5	3.2	5.2	8.0
A010403	MCLC 4-6		M 6	22.0	7.5	4.5	3.2	6.5	9.3
A010404	MCLC 6-5	6	M 5	25.0	8.0	5.1	3.7	5.2	9.2
A010405	MCLC 6-6		M 6	25.0	8.0	5.1	3.7	6.5	9.8
A010406	MCLC 6-8		M 8	25.0	8.0	5.3	3.7	8.5	12.0
A010407	MCLC 10-5	10	M 5	26.0	9.0	6.1	4.5	5.2	10.3
A010408	MCLC 10-6		M 6	26.0	9.0	6.1	4.5	6.5	10.3
A010409	MCLC 10-8		M 8	26.0	9.0	6.1	4.5	8.5	12.0
A010410	MCLC 10-10		M 10	28.0	9.0	6.3	4.5	10.3	13.2
A010411	MCLC 16-6	16	M 6	28.5	11.0	7.3	5.7	6.5	11.0
A010412	MCLC 16-8		M 8	30.5	11.0	7.3	5.7	8.5	12.5
A010413	MCLC 16-10		M 10	31.0	11.0	7.5	5.7	10.5	14.0
A010414	MCLC 25-6	25	M 6	35.0	13.5	9.0	7.2	6.5	13.1
A010415	MCLC 25-8		M 8	35.0	13.5	9.0	7.2	8.5	13.1
A010416	MCLC 25-10		M 10	35.0	13.5	9.0	7.2	10.5	14.5
A010417	MCLC 25-12		M 12	38.0	13.5	9.0	7.2	13.0	16.5
A010418	MCLC 35-6	35	M 6	37.5	14.5	10.8	8.5	6.5	15.8
A010419	MCLC 35-8		M 8	38.0	14.5	10.8	8.5	8.5	15.8
A010420	MCLC 35-10		M 10	39.0	14.5	10.8	8.5	10.5	15.8
A010421	MCLC 35-12		M 12	39.0	14.5	10.8	8.5	13.0	17.4
A010422	MCLC 50-6	50	M 6	43.5	17.0	12.5	9.8	6.5	18.1
A010423	MCLC 50-8		M 8	45.0	17.0	12.5	9.8	8.5	18.1
A010424	MCLC 50-10		M 10	45.0	17.0	12.5	9.8	10.5	18.1
A010425	MCLC 50-12		M 12	45.0	17.0	12.5	9.8	13.0	18.3
A010427	MCLC 70-8	70	M 8	50.0	19.5	14.5	11.5	8.5	21.0
A010428	MCLC 70-10		M 10	51.5	19.5	14.5	11.5	10.5	21.0
A010429	MCLC 70-12		M 12	51.5	19.5	14.5	11.5	13.0	21.0
A010430	MCLC 95-8	95	M 8	58.5	23.5	17.0	13.7	8.5	24.8
A010431	MCLC 95-10		M 10	58.5	23.5	17.0	13.7	10.5	24.8
A010432	MCLC 95-12		M 12	58.5	23.5	17.0	13.7	13.0	24.8
A010433	MCLC 95-14		M 14	59.0	23.5	17.0	13.7	15.0	24.8

Compression Cable Lugs, C Type

Part No.	Item	Cross Section mm ²	Size of Bolt Φ	Dimensions(mm)					
				L	L1	D	d	Φ	K
A010434	MCLC 120-10	120	M 10	63.5	26.0	19.0	15.0	10.5	27.5
A010435	MCLC 120-12		M 12	65.0	26.0	19.0	15.0	13.0	27.5
A010436	MCLC 120-14		M 14	65.0	26.0	19.0	15.0	15.0	27.5
A010437	MCLC 120-16		M 16	66.5	26.0	19.0	15.0	17.0	27.5
A010438	MCLC 150-10	150	M 10	73.0	29.0	21.0	16.7	10.5	30.0
A010439	MCLC 150-12		M 12	73.0	29.0	21.0	16.7	13.0	30.0
A010440	MCLC 150-14		M 14	73.0	29.0	21.0	16.7	15.0	30.0
A010441	MCLC 150-16		M 16	73.0	29.0	21.0	16.7	17.0	30.0
A010442	MCLC 185-10	185	M 10	80.0	32.0	23.5	19.2	10.5	34.0
A010443	MCLC 185-12		M 12	80.0	32.0	23.5	19.2	13.0	34.0
A010444	MCLC 185-14		M 14	80.0	32.0	23.5	19.2	15.0	34.0
A010445	MCLC 185-16		M 16	80.0	32.0	23.5	19.2	17.0	34.0
A010446	MCLC 185-20		M 20	81.5	32.0	23.5	19.2	21.0	34.0
A010447	MCLC 240-10	240	M 10	92.5	40.0	26.0	21.0	10.5	37.4
A010448	MCLC 240-12		M 12	92.5	40.0	26.0	21.0	13.0	37.4
A010449	MCLC 240-14		M 14	92.5	40.0	26.0	21.0	15.0	37.4
A010450	MCLC 240-16		M 16	92.5	40.0	26.0	21.0	17.0	37.4
A010451	MCLC 240-20		M 20	94.5	40.0	26.0	21.0	21.0	37.4
A010452	MCLC 300-12	300	M 12	102.0	44.0	30.0	24.0	13.0	43.2
A010453	MCLC 300-14		M 14	102.0	44.0	30.0	24.0	15.0	43.2
A010454	MCLC 300-16		M 16	102.0	44.0	30.0	24.0	17.0	43.2
A010455	MCLC 300-20		M 20	105.0	44.0	30.0	24.0	21.0	43.2
A010456	MCLC 400-12	400	M 12	114.0	46.0	34.0	27.0	13.0	49.0
A010457	MCLC 400-16		M 16	114.0	46.0	34.0	27.0	17.0	49.0
A010458	MCLC 400-20		M 20	116.0	46.0	34.0	27.0	21.0	49.0
A010459	MCLC 500-16		M 16	127.0	50.0	38.0	30.0	17.0	55.0
A010460	MCLC 500-20		M 20	127.0	50.0	38.0	30.0	21.0	55.0
A010464	MCLC 630-16	500	M 16	140.0	60.0	44.0	35.0	17.0	64.0
A010465	MCLC 630-20		M 20	140.0	60.0	44.0	35.0	21.0	64.0
A010466	MCLC 630-22		M 22	140.0	60.0	44.0	35.0	23.0	64.0
A010467	MCLC 800-22	800	M 22	170.0	71.0	50.0	39.0	23.0	71.5
A010468	MCLC 1000-22	1000	M 22	200.0	87.0	56.0	44.0	23.0	81.0



Compression Cable Lugs, D Type

Features

- With a square viewing window to check the conductor location
- Flared cable entry to easy insertion
- Middle length of barrel

Material

- E-Cu 99.9%

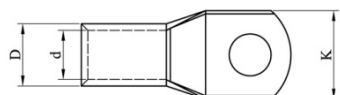
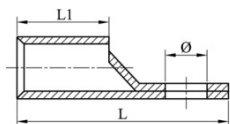
Surface

- Tin plated

Part No.	Item	Cross Section mm ²	Size of Bolt Φ	Dimensions(mm)						
				L	L1	D	d	A	Φ	K
A010501	MCLD 6-5	6	M 5	25.0	8.0	5.1	3.7	5.6	5.2	9.2
A010502	MCLD 6-6		M 6	25.0	8.0	5.1	3.7	5.6	6.5	9.8
A010503	MCLD 6-8		M 8	25.0	8.0	5.3	3.7	5.6	8.5	12.0
A010504	MCLD 10-5	10	M 5	26.0	9.0	6.1	4.5	6.6	5.2	10.3
A010505	MCLD 10-6		M 6	26.0	9.0	6.1	4.5	6.6	6.5	10.3
A010506	MCLD 10-8		M 8	26.0	9.0	6.1	4.5	6.6	8.5	12.0
A010507	MCLD 10-10	16	M 10	28.0	9.0	6.3	4.5	6.6	10.3	13.2
A010508	MCLD 16-6		M 6	28.5	11.0	7.3	5.7	8.2	6.5	11.0
A010509	MCLD 16-8		M 8	30.5	11.0	7.3	5.7	8.2	8.5	12.5
A010510	MCLD 16-10	25	M 10	31.0	11.0	7.5	5.7	8.2	10.5	14.0
A010511	MCLD 25-6		M 6	35.0	13.5	9.0	7.2	10.0	6.5	13.1
A010512	MCLD 25-8		M 8	35.0	13.5	9.0	7.2	10.0	8.5	13.1
A010513	MCLD 25-10	35	M 10	35.0	13.5	9.0	7.2	10.0	10.5	14.5
A010514	MCLD 35-6		M 6	37.5	14.5	10.8	8.5	12.0	6.5	15.8
A010515	MCLD 35-8		M 8	38.0	14.5	10.8	8.5	12.0	8.5	15.8
A010516	MCLD 35-10	50	M 10	39.0	14.5	10.8	8.5	12.0	10.5	15.8
A010517	MCLD 35-12		M 12	39.0	14.5	10.8	8.5	12.0	13.0	17.4
A010518	MCLD 50-6		M 6	43.5	17.0	12.5	9.8	13.7	6.5	18.1
A010519	MCLD 50-8	70	M 8	45.0	17.0	12.5	9.8	13.7	8.5	18.1
A010520	MCLD 50-10		M 10	45.0	17.0	12.5	9.8	13.7	10.5	18.1
A010521	MCLD 50-12		M 12	45.0	17.0	12.5	9.8	13.7	13.0	18.3
A010522	MCLD 50-14	95	M 14	45.0	17.0	12.5	9.8	13.7	15.0	18.3
A010523	MCLD 70-8		M 8	50.0	19.5	14.5	11.5	15.7	8.5	21.0
A010524	MCLD 70-10		M 10	51.5	19.5	14.5	11.5	15.7	10.5	21.0
A010525	MCLD 70-12	95	M 12	51.5	19.5	14.5	11.5	15.7	13.0	21.0
A010526	MCLD 95-8		M 8	58.5	23.5	17.0	13.7	18.2	8.5	24.8
A010527	MCLD 95-10		M 10	58.5	23.5	17.0	13.7	18.2	10.5	24.8
A010528	MCLD 95-12	95	M 12	58.5	23.5	17.0	13.7	18.2	13.0	24.8
A010529	MCLD 95-14		M 14	59.0	23.5	17.0	13.7	18.2	15.0	24.8

Compression Cable Lugs, D Type

Part No.	Item	Cross Section mm ²	Size of Bolt Φ	Dimensions(mm)						
				L	L1	D	d	A	Φ	K
A010530	MCLD 120-10	120	M 10	63.5	26.0	19.0	15.0	21.0	10.5	27.5
A010531	MCLD 120-12		M 12	65.0	26.0	19.0	15.0	21.0	13.0	27.5
A010532	MCLD 120-14		M 14	65.0	26.0	19.0	15.0	21.0	15.0	27.5
A010533	MCLD 120-16		M 16	66.5	26.0	19.0	15.0	21.0	17.0	27.5
A010534	MCLD 150-10	150	M 10	73.0	29.0	21.0	16.7	23.5	10.5	30.0
A010535	MCLD 150-12		M 12	73.0	29.0	21.0	16.7	23.5	13.0	30.0
A010536	MCLD 150-14		M 14	73.0	29.0	21.0	16.7	23.5	15.0	30.0
A010537	MCLD 150-16		M 16	73.0	29.0	21.0	16.7	23.5	17.0	30.0
A010538	MCLD 185-10	185	M 10	80.0	32.0	23.5	19.2	25.5	10.5	34.0
A010539	MCLD 185-12		M 12	80.0	32.0	23.5	19.2	25.5	13.0	34.0
A010540	MCLD 185-14		M 14	80.0	32.0	23.5	19.2	25.5	15.0	34.0
A010541	MCLD 185-16		M 16	80.0	32.0	23.5	19.2	25.5	17.0	34.0
A010542	MCLD 240-10	240	M 10	92.5	40.0	26.0	21.0	28.5	10.5	37.4
A010543	MCLD 240-12		M 12	92.5	40.0	26.0	21.0	28.5	13.0	37.4
A010544	MCLD 240-14		M 14	92.5	40.0	26.0	21.0	28.5	15.0	37.4
A010545	MCLD 240-16		M 16	92.5	40.0	26.0	21.0	28.5	17.0	37.4
A010546	MCLD 240-20	300	M 20	94.5	40.0	26.0	21.0	28.5	21.0	37.4
A010547	MCLD 300-16		M 16	102.0	44.0	30.0	24.0	32.5	17.0	43.2
A010548	MCLD 300-20		M 20	104.5	44.0	30.0	24.0	32.5	21.0	43.2
A010549	MCLD 400-16		400	M 16	114.0	46.0	34.0	27.0	37.0	17.0
A010550	MCLD 400-20	M 20		116.0	46.0	34.0	27.0	37.0	21.0	49.0
A010551	MCLD 500-16	500	M 16	126.5	50.0	38.0	30.0	41.5	17.0	55.0
A010552	MCLD 500-20		M 20	126.5	50.0	38.0	30.0	41.5	21.0	55.0
A010553	MCLD 630-20	630	M 20	140.0	60.0	44.0	35.0	48.0	21.0	64.0
A010554	MCLD 630-22		M 22	140.0	60.0	44.0	35.0	48.0	23.0	64.0
A010555	MCLD 800-22	800	M 22	170.0	71.0	50.0	39.0	54.5	23.0	71.5
A010556	MCLD 1000-22	1000	M 22	200.0	87.0	56.0	44.0	61.0	23.0	81.0



Compression Cable Lugs, Short Barrel

Features

- With a square viewing window to check the conductor location
- Short length of barrel

Material

- E-Cu 99.9%

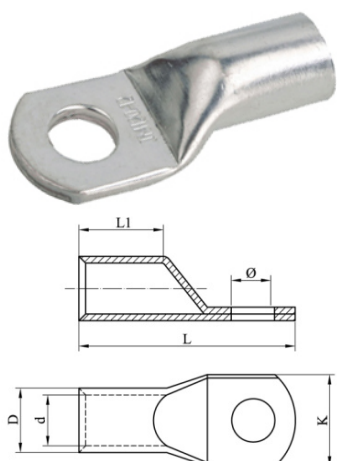
Surface

- Tin plated

Part No.	Item	Cross Section mm ²	Size of Bolt Φ	Dimensions(mm)					
				L	L1	D	d	Φ	K
A010601	SCL 6-5	6	M 5	5.0	3.8	19.5	7.5	5.3	9.0
A010602	SCL 6-6		M 6	5.0	3.8	20.5	7.5	5.4	9.0
A010603	SCL 10-6	10	M 6	6.0	4.6	22.3	8.0	6.4	9.2
A010604	SCL 10-8		M 8	6.0	4.6	24.0	8.0	8.4	11.5
A010605	SCL 16-6	16	M 6	7.2	5.8	25.0	10.0	6.5	10.5
A010606	SCL 16-8		M 8	7.2	5.8	26.3	10.0	8.4	11.2
A010607	SCL 16-10	25	M 10	7.5	5.7	28.0	10.0	10.5	13.0
A010608	SCL 25-6		M 6	8.8	7.3	29.0	12.0	6.4	13.0
A010609	SCL 25-8	25	M 8	8.8	7.3	30.8	12.0	8.4	13.0
A010610	SCL 25-10		M 10	8.8	7.3	31.5	12.0	10.5	13.7
A010611	SCL 35-8	35	M 8	10.5	8.6	33.5	13.0	8.5	15.3
A010612	SCL 35-10		M 10	10.5	8.6	34.5	13.0	10.5	15.3
A010613	SCL 35-12	50	M 12	10.8	8.8	37.0	13.0	13.0	17.4
A010614	SCL 50-8		M 8	12.3	10.0	38.0	15.0	8.5	17.9
A010615	SCL 50-10	50	M 10	12.3	10.0	39.0	15.0	10.5	17.9
A010616	SCL 50-12		M 12	12.3	10.0	40.5	15.0	13.0	18.0
A010617	SCL 70-10	70	M 10	14.2	11.6	44.5	17.0	10.5	20.6
A010618	SCL 70-12		M 12	14.2	11.6	45.5	17.0	13.0	20.6
A010619	SCL 70-14	95	M 14	14.2	11.6	45.5	17.0	15.0	20.6
A010620	SCL 95-10		M 10	16.8	13.8	55.0	20.5	10.5	24.5
A010621	SCL 95-12	95	M 12	16.8	13.8	55.0	20.5	13.0	24.5
A010622	SCL 95-14		M 14	16.8	13.8	55.5	20.5	15.0	24.5
A010623	SCL 95-16	120	M 16	16.8	13.8	58.0	20.5	18.5	24.5
A010624	SCL 120-10		M 10	19.0	15.6	59.0	23.0	10.5	27.7
A010625	SCL 120-12	120	M 12	19.0	15.6	60.0	23.0	13.0	27.7
A010626	SCL 120-14		M 14	19.0	15.6	60.5	23.0	15.0	27.7
A010627	SCL 120-16	150	M 16	19.0	15.6	60.5	23.0	18.5	27.7
A010628	SCL 150-10		M 10	20.8	17.2	64.0	26.0	10.5	30.4
A010629	SCL 150-12	150	M 12	20.8	17.2	65.0	25.5	13.0	30.4
A010630	SCL 150-14		M 14	20.8	17.2	66.0	25.5	15.0	30.4
A010631	SCL 150-16	150	M 16	20.8	17.2	66.0	25.5	17.0	30.4
A010632	SCL 150-18		M 18	20.8	17.2	66.0	25.5	18.5	30.4

Compression Cable Lugs, Short Barrel

Part No.	Item	Cross Section mm ²	Size of Bolt Φ	Dimensions(mm)					
				L	L1	D	d	Φ	K
A010633	SCL 185-12	185	M 12	22.8	19.0	70.0	27.5	13.0	33.4
A010634	SCL 185-16		M 16	22.8	19.0	72.0	27.5	17.0	33.4
A010635	SCL 185-18		M 18	22.8	19.0	72.0	27.5	18.5	33.4
A010636	SCL 185-20		M 20	22.8	19.0	72.0	27.5	21.0	33.4
A010637	SCL 240-12	240	M 12	25.7	21.7	82.0	35.0	13.0	37.8
A010638	SCL 240-14		M 14	25.7	21.7	82.5	34.5	15.0	37.8
A010639	SCL 240-16		M 16	25.7	21.7	83.0	34.5	17.0	37.8
A010640	SCL 240-18		M 18	25.7	21.7	83.0	34.5	18.5	37.8
A010641	SCL 240-20	300	M 20	25.7	21.7	84.0	35.0	21.0	37.8
A010642	SCL 300-12		M 12	29.7	24.7	93.0	38.0	13.0	43.4
A010643	SCL 300-16		M 16	29.7	24.7	94.5	39.0	17.0	43.4
A010644	SCL 300-18		M 18	29.7	24.7	94.5	39.0	18.5	43.4
A010645	SCL 300-20	400	M 20	29.7	24.7	95.5	39.0	21.0	43.4
A010646	SCL 400-10		M 10	33.7	27.7	106.5	42.5	10.5	49.0
A010647	SCL 400-16		M 16	33.7	27.7	106.5	42.5	17.0	49.0
A010648	SCL 400-18		M 18	33.7	27.7	108.0	42.5	18.5	49.0
A010649	SCL 400-20	500	M 20	33.7	27.7	108.0	42.5	21.0	49.0
A010650	SCL 500-12		M 12	38.0	31.3	115.0	46.0	13.0	55.3
A010651	SCL 500-16		M 16	38.0	31.3	115.0	46.0	17.0	55.3
A010652	SCL 500-18		M 18	38.0	31.3	116.5	46.0	18.5	55.3
A010653	SCL 500-20	630	M 20	38.0	31.3	116.5	46.0	21.0	55.3
A010654	SCL 630-16		M 16	43.0	35.3	132.0	51.5	17.0	62.5
A010655	SCL 630-20		M 20	43.0	35.3	132.0	51.5	21.0	62.5



Compression Cable Lugs, HUP

Features

- Without viewing window

Material

- E-Cu 99.9%

Surface

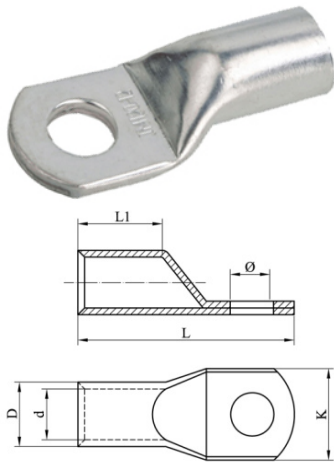
- Tin plated

Part No.	Item	Cross Section mm ²	Size of Bolt Φ	Dimensions(mm)					
				Φ	D	d	K	L1	L
A010801	HUP 1.5-3	1.5	M 3	3.2	3.3	1.8	6.5	6.0	15.3
A010802	HUP 1.5-4		M 4	4.3	3.3	1.8	6.5	6.0	17.0
A010803	HUP 1.5-6		M 6	6.5	3.3	1.8	9.0	6.0	22.5
A010804	HUP 2.5-3	2.5	M 3	3.2	4.2	2.3	7.5	6.0	15.3
A010805	HUP 2.5-4		M 4	4.3	4.2	2.3	7.5	6.0	17.0
A010806	HUP 2.5-5		M 5	5.3	4.2	2.3	8.5	6.0	18.8
A010807	HUP 2.5-6	4	M 6	6.5	4.2	2.3	9.5	6.0	22.5
A010808	HUP 2.5-8		M 8	8.5	4.2	2.3	13	6.0	27.8
A010809	HUP 4-5		M 5	5.3	5.0	3.0	9.0	8.0	21.8
A010810	HUP 4-6	6	M 6	6.5	5.0	3.0	10.0	8.0	25.5
A010811	HUP 4-8		M 8	8.5	5.0	3.0	13.0	8.0	30.5
A010812	HUP 6-5		M 5	5.3	6.5	3.5	10.0	9.0	27.5
A010813	HUP 6-6	10	M 6	6.5	6.5	3.5	12.0	9.0	27.5
A010814	HUP 6-8		M 8	8.5	6.5	3.5	15.0	9.0	33.0
A010815	HUP 6-10		M 10	10.5	6.5	3.5	17.0	9.0	37.0
A010816	HUP 6-12	16	M 12	13.0	6.5	3.5	19.0	9.0	41.0
A010817	HUP 10-5		M 5	5.3	7.0	4.5	12.0	10.0	28.5
A010818	HUP 10-6		25	M 6	6.5	7.0	4.5	12.0	10.0
A010819	HUP 10-8	M 8		8.5	7.0	4.5	15.0	10.0	35.0
A010820	HUP 10-10	M 10		10.5	7.0	4.5	17.0	10.0	39.0
A010821	HUP 10-12	35	M 12	13.0	7.0	4.5	19.0	10.0	42.0
A010822	HUP 16-5		M 5	5.3	8.5	5.5	12.0	13.0	32.5
A010823	HUP 16-6		16	M 6	6.5	8.5	5.5	12.0	13.0
A010824	HUP 16-8	M 8		8.5	8.5	5.5	15.0	13.0	37.5
A010825	HUP 16-10	M 10		10.5	8.5	5.5	17.0	13.0	41.5
A010826	HUP 16-12	25	M 12	13.0	8.5	5.5	19.0	13.0	45.0
A010827	HUP 16-14		M 14	15.0	8.5	5.5	21.0	13.0	45.0
A010828	HUP 25-5		35	M 5	5.3	10.0	7.0	14.0	15.0
A010829	HUP 25-6	M 6		6.5	10.0	7.0	14.0	15.0	37.5
A010830	HUP 25-8	35		M 8	8.5	10.0	7.0	16.0	15.0
A010831	HUP 25-10		M 10	10.5	10.0	7.0	18.0	15.0	46.0
A010832	HUP 25-12		35	M 12	13.0	10.0	7.0	19.0	15.0
A010833	HUP 25-14	M 14		15.0	10.0	7.0	21.0	15.0	52.5
A010834	HUP 35-6	35		M 6	6.5	12.0	8.5	17.0	17.0
A010835	HUP 35-8		M 8	8.5	12.0	8.5	17.0	17.0	44.0
A010836	HUP 35-10		35	M 10	10.5	12.0	8.5	19.0	17.0
A010837	HUP 35-12	M 12		13.0	12.0	8.5	21.0	17.0	51.0
A010838	HUP 35-14	35		M 14	15.0	12.0	8.5	21.0	17.0
A010839	HUP 35-16		M 16	17.0	12.0	8.5	26.0	17.0	58.0

Compression Cable Lugs, HUP

Part No.	Item	Cross Section mm ²	Size of Bolt Φ	Dimensions(mm)					
				Φ	D	d	K	L1	L
A010840	HUP 50-6	50	M 6	6.5	14.0	10.0	20.0	19.0	47.0
A010841	HUP 50-8		M 8	8.5	14.0	10.0	20.0	19.0	47.0
A010842	HUP 50-10		M 10	10.5	14.0	10.0	20.0	19.0	51.0
A010843	HUP 50-12		M 12	13.0	14.0	10.0	23.0	19.0	56.0
A010844	HUP 50-14		M 14	15.0	14.0	10.0	23.0	19.0	59.5
A010845	HUP 50-16		M 16	17.0	14.0	10.0	28.0	19.0	62.0
A010846	HUP 50-20	70	M 20	21.0	14.0	10.0	30.0	19.0	67.0
A010847	HUP 70-6		M 6	6.5	16.5	12.0	23.5	21.0	53.0
A010848	HUP 70-8		M 8	8.5	16.5	12.0	23.5	21.0	53.0
A010849	HUP 70-10		M 10	10.5	16.5	12.0	23.5	21.0	56.0
A010850	HUP 70-12		M 12	13.0	16.5	12.0	23.5	21.0	59.0
A010851	HUP 70-14		M 14	15.0	16.5	12.0	23.5	21.0	62.5
A010852	HUP 70-16	95	M 16	17.0	16.5	12.0	28.0	21.0	66.0
A010853	HUP 70-20		M 20	21.0	16.5	12.0	30.0	21.0	72.0
A010854	HUP 95-8		M 8	8.5	18.0	13.5	26.0	25.0	60.0
A010855	HUP 95-10		M 10	10.5	18.0	13.5	26.0	25.0	60.0
A010856	HUP 95-12		M 12	13.0	18.0	13.5	26.0	25.0	62.0
A010857	HUP 95-14		M 14	15.0	18.0	13.5	26.0	25.0	65.5
A010858	HUP 95-16	120	M 16	17.0	18.0	13.5	28.0	25.0	70.0
A010859	HUP 95-20		M 20	21.0	18.0	13.5	36.0	26.0	82.0
A010860	HUP 120-8		M 8	8.5	19.5	15.0	28.0	26.0	65.0
A010861	HUP 120-10		M 10	10.5	19.5	15.0	28.0	26.0	65.0
A010862	HUP 120-12		M 12	13.0	19.5	15.0	28.0	26.0	65.0
A010863	HUP 120-14		M 14	15.0	19.5	15.0	28.0	26.0	67.0
A010864	HUP 120-16	150	M 16	17.0	19.5	15.0	30.0	26.0	70.0
A010865	HUP 120-20		M 20	21.0	19.5	15.0	36.0	28.0	85.0
A010866	HUP 150-8		M 8	8.5	21.0	16.5	30.5	30.0	70.0
A010867	HUP 150-10		M 10	10.5	21.0	16.5	30.5	30.0	72.0
A010868	HUP 150-12		M 12	13.0	21.0	16.5	30.5	30.0	72.0
A010869	HUP 150-14		M 14	15.0	21.0	16.5	30.5	30.0	72.0
A010870	HUP 150-16	185	M 16	17.0	21.0	16.5	30.5	30.0	74.0
A010871	HUP 150-20		M 20	21.0	21.0	16.5	36.0	30.0	88.0
A010872	HUP 185-10		M 10	10.5	24.0	19.0	35.0	30.0	83.0
A010873	HUP 185-12		M 12	13.0	24.0	19.0	35.0	30.0	83.0
A010874	HUP 185-14		M 14	15.0	24.0	19.0	35.0	30.0	83.0
A010875	HUP 185-16		M 16	17.0	24.0	19.0	35.0	30.0	83.0
A010876	HUP 185-20	240	M 20	21.0	24.0	19.0	39.0	30.0	91.0
A010877	HUP 240-10		M 10	10.5	26.0	21.0	38.0	35.0	93.5
A010878	HUP 240-12		M 12	13.0	26.0	21.0	38.0	35.0	93.5
A010879	HUP 240-14		M 14	15.0	26.0	21.0	38.0	35.0	93.5
A010880	HUP 240-16		M 16	17.0	26.0	21.0	38.0	35.0	93.5
A010881	HUP 240-20		M 20	21.0	26.0	21.0	38.0	35.0	93.5
A010882	HUP 300-12	300	M 12	13.0	29.5	23.5	43.0	44.0	111.0
A010883	HUP 300-14		M 14	15.0	29.5	23.5	43.0	44.0	111.0
A010884	HUP 300-16		M 16	17.0	29.5	23.5	43.0	44.0	111.0
A010885	HUP 300-20		M 20	21.0	29.5	23.5	43.0	44.0	111.0
A010886	HUP 400-12	400	M 12	13.0	34.0	27.0	49.5	44.0	114.0
A010887	HUP 400-14		M 14	15.0	34.0	27.0	49.5	44.0	114.0
A010888	HUP 400-16		M 16	17.0	34.0	27.0	49.5	44.0	114.0
A010889	HUP 400-20		M 20	21.0	34.0	27.0	49.5	44.0	114.0
A010890	HUP 500-16	500	M 16	17.0	42.0	31.0	59.0	70.0	150.0
A010891	HUP 500-20		M 20	21.0	42.0	31.0	59.0	70.0	150.0
A010892	HUP 630-16	630	M 16	17.0	44.0	34.5	63.5	80.0	170.0
A010893	HUP 630-20		M 20	21.0	44.0	34.5	63.5	80.0	170.0

Compression Cable Lugs, GPH



Features

- Without viewing window

Material

- E-Cu 99.9%

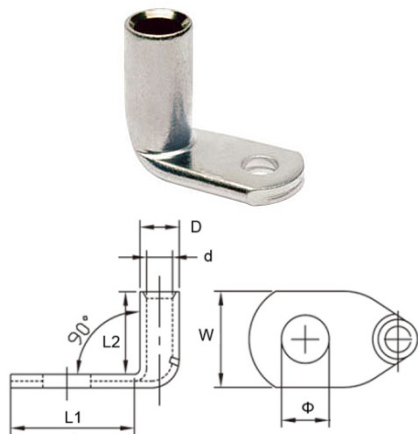
Surface

- Tin plated

Part No.	Item	Cross Section mm ²	Size of Bolt Φ	Dimensions(mm)					
				Φ	D	d	K	L1	L
A010901	GPH 1.5-3	1.5	M 3	3.2	3.3	1.8	6.5	6.0	15.5
A010902	GPH 1.5-4		M 4	4.3	3.3	1.8	6.5	6.0	17.5
A010903	GPH 1.5-5		M 5	5.3	3.3	1.8	9.0	6.0	19.0
A010904	GPH 1.5-6		M 6	6.4	3.3	1.8	9.0	6.0	22.5
A010905	GPH 2.5-4	2.5	M 4	4.3	4.2	2.2	7.5	6.0	17.1
A010906	GPH 2.5-5		M 5	5.3	4.2	2.2	8.5	6.0	19.2
A010907	GPH 2.5-6		M 6	6.4	4.2	2.2	9.5	6.0	22.8
A010908	GPH 2.5-8		M 8	8.4	4.2	2.2	13.0	6.0	28.0
A010909	GPH 4-4	4	M 4	4.3	5.0	3.0	8.5	8.0	21.8
A010910	GPH 4-5		M 5	5.3	5.0	3.0	9.0	8.0	22.2
A010911	GPH 4-6		M 6	6.4	5.0	3.0	10.0	8.0	22.2
A010912	GPH 6-5		M 5	5.3	6.5	3.5	10.0	11.0	28.2
A010913	GPH 6-6	6	M 6	6.4	6.5	3.5	12.0	11.0	29.1
A010914	GPH 6-8		M 8	8.4	6.5	3.5	15.0	11.0	31.8
A010915	GPH 6-10		M 10	10.5	6.5	3.5	17.0	11.0	37.0
A010916	GPH 10-5	10	M 5	5.3	7.0	4.5	12.0	11.0	28.1
A010917	GPH 10-6		M 6	6.4	7.0	4.5	12.0	11.0	29.0
A010918	GPH 10-8		M 8	8.4	7.0	4.5	14.5	10.0	33.3
A010919	GPH 10-10		M 10	10.5	7.0	4.5	16.0	11.0	36.9
A010920	GPH 16-5	16	M 5	5.3	8.5	5.5	12.0	14.0	33.1
A010921	GPH 16-6		M 6	6.4	8.5	5.5	12.5	14.0	33.5
A010922	GPH 16-8		M 8	8.4	8.5	5.5	13.8	14.0	38.0
A010923	GPH 16-10		M 10	10.5	8.5	5.5	17.0	14.0	42.0
A010924	GPH 16-12	25	M 12	13.2	8.5	5.5	20.0	14.0	44.5
A010925	GPH 25-6		M 6	6.4	10.0	7.0	14.0	15.0	34.6
A010926	GPH 25-8		M 8	8.4	10.0	7.0	16.0	15.0	39.0
A010927	GPH 25-10		M 10	10.5	10.0	7.0	18.0	15.0	44.5
A010928	GPH 25-12	35	M 12	13.2	10.0	7.0	20.0	15.0	47.0
A010929	GPH 35-6		M 6	6.4	12.0	8.5	16.7	16.0	38.0
A010930	GPH 35-8		M 8	8.4	12.0	8.5	17.5	17.0	43.0
A010931	GPH 35-10		M 10	10.5	12.0	8.5	18.5	16.0	46.0
A010932	GPH 35-12		M 12	13.2	12.0	8.5	21.3	16.0	50.0

Compression Cable Lugs, GPH

Part No.	Item	Cross Section mm ²	Size of Bolt Φ	Dimensions(mm)					
				Φ	D	d	K	L1	L
A010933	GPH 50-8	50	M 8	8.4	14.0	10.0	21.0	19.0	47.0
A010934	GPH 50-10		M 10	10.5	14.0	10.0	21.0	19.0	51.2
A010935	GPH 50-12		M 12	13.2	14.0	10.0	21.5	19.0	52.0
A010936	GPH 70-8	70	M 8	8.4	16.5	12.0	23.2	21.0	52.0
A010937	GPH 70-10		M 10	10.5	16.5	12.0	23.2	21.0	52.0
A010938	GPH 70-12		M 12	13.2	16.5	12.0	23.2	21.0	55.7
A010939	GPH 95-8	95	M 8	8.4	18.0	13.5	25.6	25.0	59.0
A010940	GPH 95-10		M 10	10.5	18.0	13.5	25.6	25.0	59.0
A010941	GPH 95-12		M 12	13.2	18.0	13.5	25.6	25.0	61.0
A010942	GPH 120-10	120	M 10	10.5	19.5	15.0	28.2	27.0	68.0
A010943	GPH 120-12		M 12	13.2	19.5	15.0	28.2	27.0	68.0
A010944	GPH 120-16		M 16	17.0	19.5	15.0	30.0	27.0	74.0
A010945	GPH 150-10	150	M 10	10.5	21.2	16.5	30.6	30.0	71.0
A010946	GPH 150-12		M 12	13.2	21.2	16.5	30.6	30.0	71.0
A010947	GPH 150-16		M 16	17.0	21.2	16.5	30.6	30.0	77.0
A010948	GPH 185-10	185	M 10	10.5	24.2	19.0	35.1	32.0	79.0
A010949	GPH 185-12		M 12	13.2	24.2	19.0	35.1	32.0	79.0
A010950	GPH 185-16		M 16	17.0	24.2	19.0	35.1	32.0	83.0
A010951	GPH 240-12	240	M 12	13.2	26.2	21.0	37.7	36.0	89.0
A010952	GPH 240-16		M 16	17.0	26.2	21.0	37.7	36.0	89.0
A010953	GPH 240-20		M 20	21.0	26.2	21.0	37.7	36.0	95.0
A010954	GPH 300-12	300	M 12	13.2	30.2	24.0	44.0	44.0	110.0
A010955	GPH 300-16		M 16	17.0	30.2	24.0	44.0	44.0	110.0
A010956	GPH 300-20		M 20	21.0	30.2	24.0	44.0	44.0	110.0
A010957	GPH 400-16	400	M 16	17.0	33.7	27.5	49.0	50.0	119.0
A010958	GPH 400-20		M 20	21.0	33.7	27.5	49.0	50.0	119.0



Angle Compression Cable Lugs, 90°

Features

- 90 degree angle

Material

- E-Cu 99.9%

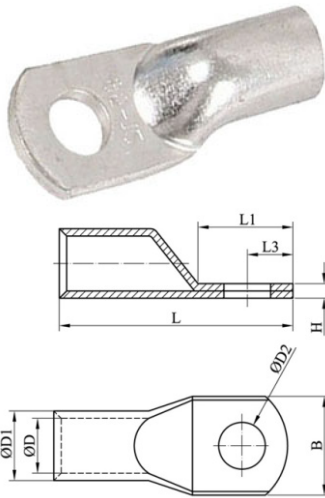
Surface

- Tin plated

Part No.	Item	Cross Section mm ²	Size of Bolt Φ	Dimensions(mm)					
				φ	D	d	W	L2	L1
A011201	GPH90 6-5	6	M 5	5.3	6.5	3.5	10.0	14.0	22.5
A011202	GPH90 6-6		M 6	6.4	6.5	3.5	12.0	14.0	24.0
A011203	GPH90 6-8		M 8	8.5	6.5	3.5	15.0	14.0	27.5
A011204	GPH90 6-10		M 10	10.5	6.5	3.5	16.0	14.0	29.5
A011205	GPH90 10-5	10	M 5	5.3	7.0	4.5	12.0	16.0	23.0
A011206	GPH90 10-6		M 6	6.4	7.0	4.5	12.0	16.0	24.0
A011207	GPH90 10-8		M 8	8.5	7.0	4.5	15.0	16.0	28.0
A011208	GPH90 10-10		M 10	10.5	7.0	4.5	18.0	16.0	29.5
A011209	GPH90 16-5	16	M 5	5.3	8.5	5.5	12.0	20.0	22.5
A011210	GPH90 16-6		M 6	6.4	8.5	5.5	14.0	20.0	24.0
A011211	GPH90 16-8		M 8	8.5	8.5	5.5	15.0	20.0	28.0
A011212	GPH90 16-10		M 10	10.5	8.5	5.5	18.0	20.0	31.0
A011213	GPH90 16-12	25	M 12	13.0	8.5	5.5	19.0	20.0	32.0
A011214	GPH90 25-6		M 6	6.4	10.0	6.9	15.0	21.0	27.5
A011215	GPH90 25-8		M 8	8.4	10.0	6.9	16.0	21.0	32.5
A011216	GPH90 25-10		M 10	10.5	10.0	6.9	18.0	21.0	32.5
A011217	GPH90 25-12	35	M 12	13.0	10.0	6.9	19.0	21.0	34.0
A011218	GPH90 35-6		M 6	6.4	12.0	8.5	17.0	24.0	28.5
A011219	GPH90 35-8		M 8	8.5	12.0	8.5	17.0	24.0	34.0
A011220	GPH90 35-10		M 10	10.5	12.0	8.5	20.0	24.0	34.0
A011221	GPH90 35-12	50	M 12	13.0	12.0	8.5	22.0	24.0	40.5
A011222	GPH90 50-6		M 6	6.4	14.0	10.0	20.0	28.5	37.0
A011223	GPH90 50-8		M 8	8.4	14.0	10.0	20.0	28.5	40.5
A011224	GPH90 50-10		M 10	10.5	14.0	10.0	20.0	28.5	40.5
A011225	GPH90 50-12	70	M 12	13.0	14.0	10.0	23.0	28.5	42.5
A011226	GPH90 50-16		M 16	17.0	14.0	10.0	28.0	28.5	50.5
A011227	GPH90 70-8		M 8	8.5	16.5	12.0	24.0	31.0	43.0
A011228	GPH90 7010		M 10	10.5	16.5	12.0	24.0	31.0	43.0
A011229	GPH90 70-12	70	M 12	13.0	16.5	12.0	24.0	31.0	44.5
A011230	GPH90 70-16		M 16	17.0	16.5	12.0	28.0	31.0	53.0
A011231	GPH90 70-20		M 20	21.0	16.5	12.0	30.0	31.0	59.0

Angle Compression Cable Lugs, 90°

Part No.	Item	Cross Section mm ²	Size of Bolt Φ	Dimensions(mm)					
				φ	D	d	W	L2	L1
A011232	GPH90 95-8	95	M 8	8.5	18.0	13.5	26.0	35.0	44.5
A011233	GPH90 95-10		M 10	10.5	18.0	13.5	26.0	35.0	44.5
A011234	GPH90 95-12		M 12	13.0	18.0	13.5	26.0	35.0	46.5
A011235	GPH90 95-16		M 16	17.0	18.0	13.5	28.0	35.0	52.0
A011236	GPH90 95-20		M 20	21.0	18.0	13.5	30.5	35.0	59.0
A011237	GPH90 120-10	120	M 10	10.5	19.5	15.0	29.0	35.5	49.0
A011238	GPH90 120-12		M 12	13.0	19.5	15.0	29.0	35.5	49.0
A011239	GPH90 120-16		M 16	17.0	19.5	15.0	29.0	35.5	55.0
A011240	GPH90 120-20		M 20	21.0	19.5	15.0	30.5	35.5	61.0
A011241	GPH90 150-10	150	M 10	10.5	21.0	16.5	31.0	40.0	48.0
A011242	GPH90 150-12		M 12	13.0	21.0	16.5	31.0	40.0	51.0
A011243	GPH90 150-16		M 16	17.0	21.0	16.5	31.0	40.0	56.0
A011244	GPH90 150-20		M 20	21.0	21.0	16.5	34.0	40.0	61.5
A011245	GPH90 185-12	185	M 12	13.0	24.0	19.0	35.0	46.0	58.5
A011246	GPH90 185-16		M 16	17.0	24.0	19.0	35.0	46.0	58.5
A011247	GPH90 185-20		M 20	21.0	24.0	19.0	35.0	46.0	65.0
A011248	GPH90 240-12	240	M 12	13.0	26.0	21.0	40.0	50.0	54.0
A011249	GPH90 240-16		M 16	17.0	26.0	21.0	40.0	50.0	60.0
A011250	GPH90 240-20		M 20	21.0	26.0	21.0	40.0	50.0	67.8
A011251	GPH90 300-12	300	M 12	13.0	29.5	23.5	43.0	59.0	74.5
A011252	GPH90 300-16		M 16	17.0	29.5	23.5	43.0	59.0	64.0
A011253	GPH90 300-20		M 20	21.0	29.5	23.5	43.0	59.0	70.5
A011254	GPH90 400-12	400	M 12	13.0	34.0	27.0	49.0	62.0	79.0
A011255	GPH90 400-16		M 16	17.0	34.0	27.0	49.0	62.0	68.5
A011256	GPH90 400-20		M 20	21.0	34.0	27.0	49.0	62.0	75.0



Compression Cable Lugs

Features

- Without viewing window

Material

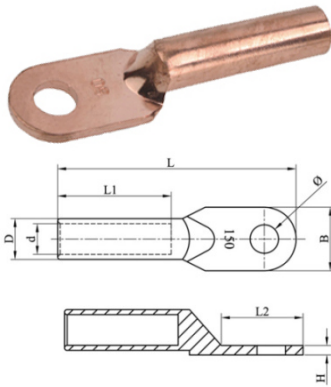
- E-Cu 99.9%

Surface

- Tin plated

Part No.	Item	Cross Section mm ²	Size of Bolt Φ	Dimensions(mm)							
				L	L1	D1	D	D2	B	H	L3
A010701	JG 6-6	6	M 6	32.0	12.0	6.1	4.5	6.4	8.6	1.5	6.8
A010702	JG 10-6	10	M 6	38.5	17.0	8.0	6.0	6.4	11.3	1.9	7.8
A010703	JG 16-8	16	M 8	42.0	17.0	9.0	6.8	8.4	13.0	2.1	7.6
A010704	JG 25-8	25	M 8	46.0	19.0	10.0	7.8	8.4	14.4	2.1	9.0
A010705	JG 35-8	35	M 8	52.0	20.0	11.0	8.8	8.4	16.4	2.1	10.5
A010706	JG 50-10	50	M 10	54.5	22.0	13.0	10.8	10.5	19.3	2.1	11.5
A010707	JG 70-12	70	M 12	61.0	25.0	15.0	12.6	13.0	21.8	2.3	12.5
A010708	JG 95-12	95	M 12	65.5	29.0	18.0	15.2	13.0	26.5	2.7	13.2
A010709	JG 120-14	120	M 14	72.0	31.0	19.0	16.0	15.0	27.8	2.9	16.0
A010710	JG 150-14	150	M 14	80.0	35.0	21.0	17.0	15.0	30.6	3.8	17.5
A010711	JG 185-16	185	M 16	85.0	37.0	24.0	19.4	17.0	35.2	4.4	16.8
A010712	JG 240-16	240	M 16	95.0	39.0	26.0	21.6	17.0	38.0	4.4	19.2
A010713	JG 300-16	300	M 16	95.0	43.0	30.0	24.4	17.0	43.4	5.5	22.0
A010714	JG 400-16	400	M 16	115.0	50.0	33.0	27.0	17.0	47.0	5.9	24.0

Copper Compression Lugs and Joints



Compression Cable Lugs

Features

- Made of copper rod with oil stop

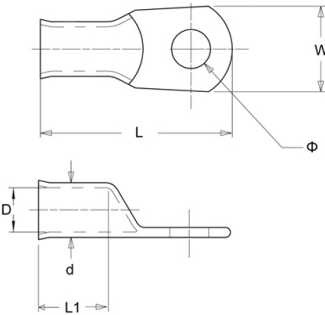
Material

- E-Cu 99.9%

Surface

- Tin plated

Part No.	Item	Cross Section mm ²	Size of Bolt Φ	Dimensions(mm)								
				D	d	L	L1	L2	B	Φ	E	H
A011001	DT 10-6	10	M 6	8.0	4.7	59.0	28.0	21.0	13.5	6.5	1.5	2.0
A011002	DT 16-8	16	M 8	9.0	5.7	67.0	31.0	24.0	16.0	8.5	1.5	2.4
A011003	DT 25-8	25	M 8	11.0	7.2	70.0	34.0	24.0	17.5	8.5	1.5	2.7
A011004	DT 35-10	35	M 10	12.0	8.5	78.0	36.0	27.0	20.0	10.5	1.5	3.0
A011005	DT 50-10	50	M 10	14.0	9.7	87.0	41.0	30.0	23.0	10.5	1.5	3.4
A011006	DT 70-12	70	M 12	16.0	11.5	95.0	44.0	33.0	26.0	12.5	1.5	3.8
A011007	DT 95-12	95	M 12	18.0	13.5	105.0	48.0	35.0	28.0	12.5	2.0	4.2
A011008	DT 120-14	120	M 14	20.0	15.0	112.0	52.0	38.0	31.0	14.5	2.0	4.8
A011009	DT 150-14	150	M 14	22.0	16.5	116.0	53.0	42.0	35.0	14.5	2.0	5.2
A011010	DT 185-16	185	M 16	24.0	18.5	125.0	57.0	45.0	37.5	17.0	2.0	5.5
A011011	DT 240-16	240	M 16	27.0	21.0	134.0	60.0	48.0	40.0	17.0	2.0	6.5
A011012	DT 300-18	300	M 18	31.0	23.5	150.0	60.0	50.0	44.5	18.5	2.0	7.0
A011013	DT 400-20	400	M 20	34.0	26.5	160.0	65.0	60.0	50.0	21.0	2.0	7.5



AWG Compression Cable Lugs

Features

- AWG Standard

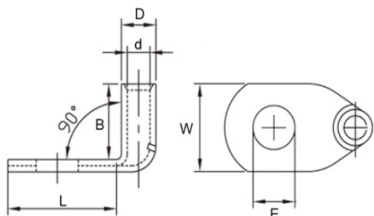
Material

- E-Cu 99.9%

Surface

- Tin plated

Part No.	Item	Dimensions(mm)					
		Φ	D	d	W	L1	L
A011101	8*10	5.1	7.1	4.8	11.8	13.0	33.3
A011102	8*1/4	6.8	7.1	4.8	11.8	13.0	33.3
A011103	8*5/16	8.3	7.1	4.8	11.8	13.0	33.3
A011104	8*3/8	10.4	7.1	4.8	14.5	13.0	33.3
A011105	8*1/2	13.1	7.1	4.8	17.0	13.0	33.3
A011106	6*10	5.1	8.1	5.9	11.8	15.0	37.3
A011107	6*1/4	6.8	8.1	5.9	13.7	15.0	37.3
A011108	6*5/16	8.3	8.1	5.9	13.7	15.0	37.3
A011109	6*3/8	10.4	8.1	5.9	13.7	15.0	37.3
A011110	6*1/2	13.1	8.1	5.9	17.0	14.0	37.3
A011111	4*1/4	6.8	9.5	7.3	13.8	15.5	38.9
A011112	4*5/16	8.3	9.5	7.3	13.8	15.5	38.9
A011113	4*3/8	10.4	9.5	7.3	14.5	15.5	38.9
A011114	4*1/2	13.1	9.5	7.3	17.0	15.0	38.9
A011115	2*1/4	6.8	11.1	8.5	16.5	16.0	41.1
A011116	2*5/16	8.3	11.1	8.5	16.5	16.0	41.1
A011117	2*3/8	10.4	11.1	8.5	16.5	16.0	41.1
A011118	2*1/2	13.1	11.1	8.5	17.0	15.3	41.1
A011119	1*1/4	6.8	11.7	9.1	16.4	16.0	43.6
A011120	1*5/16	8.3	11.7	9.1	16.4	16.0	43.6
A011121	1*3/8	10.4	11.7	9.1	17.1	16.0	43.6
A011122	1*1/2	13.1	11.7	9.1	19.1	16.0	43.6
A011123	1/0 1/4	6.8	13.0	10.4	18.4	19.0	46.8
A011124	1/0 5/16	8.3	13.0	10.4	18.4	19.0	46.8
A011125	1/0 3/8	10.4	13.0	10.4	18.4	19.0	46.8
A011126	1/0 1/2	13.1	13.0	10.4	21.0	19.0	46.8
A011127	2/0 1/4	6.8	14.2	11.7	21.0	22.0	52.4
A011128	2/0 5/16	8.3	14.2	11.7	21.0	22.0	52.4
A011129	2/0 3/8	10.4	14.2	11.7	21.0	22.0	52.4
A011130	2/0 1/2	13.1	14.2	11.7	21.0	21.0	52.4
A011131	3/0 5/16	8.3	15.7	13.0	23.1	22.5	55.9
A011132	3/0 3/8	10.4	15.7	13.0	23.1	22.5	55.9
A011133	3/0 1/2	13.1	15.7	13.0	23.1	22.5	55.9
A011134	4/0 5/16	8.3	17.2	14.2	25.8	24.0	60.5
A011135	4/0 3/8	10.4	17.2	14.2	25.8	24.0	60.5
A011136	4/0 1/2	13.1	17.2	14.2	25.8	24.0	60.5



Angle Compression Cable Lugs, 90°

Features

- With a square viewing window to check the conductor location

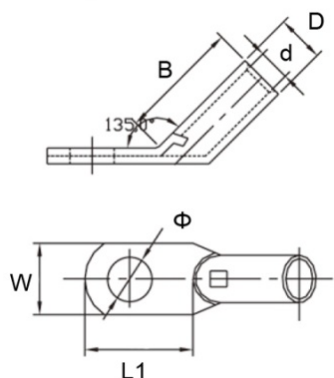
Material

- E-Cu 99.9%

Surface

- Tin plated

Part No.	Item	Cross Section mm ²	Size of Bolt Φ	DIMENSIONS					
				Φ	D	d	W	B	L1
A011301	F90 10-6	10	M 6	6.5	8.0	5.0	13.0	15.0	18.0
A011302	F90 10-8		M 8	8.4	8.0	5.0	13.5	15.0	20.5
A011303	F90 16-6	16	M 6	6.5	9.0	6.0	13.0	17.0	18.0
A011304	F90 16-8		M 8	8.4	9.0	6.0	13.5	17.0	20.5
A011305	F90 25-6	25	M 6	6.5	11.0	8.0	17.0	18.5	18.0
A011306	F90 25-8		M 8	8.4	11.0	8.0	17.0	18.5	20.5
A011307	F90 25-10	35	M 10	10.5	11.0	8.0	17.0	18.5	25.0
A011308	F90 35-6		M 6	6.5	13.0	9.0	18.0	22.5	18.0
A011309	F90 35-8	50	M 8	8.4	12.0	8.5	17.0	22.5	20.5
A011310	F90 35-10		M 10	10.5	13.0	9.0	18.0	22.5	25.0
A011311	F90 50-6	70	M 6	6.5	14.5	11.0	21.0	30.5	26.0
A011312	F90 50-8		M 8	8.4	14.5	11.0	21.0	30.5	26.0
A011313	F90 50-10		M 10	10.5	14.5	11.0	21.0	30.5	30.0
A011314	F90 50-12		M 12	13.0	14.5	11.0	21.0	30.5	32.0
A011315	F90 70-6	95	M 6	6.5	17.0	13.0	25.0	31.5	26.0
A011316	F90 70-8		M 8	8.4	16.5	12.0	24.0	31.5	26.0
A011317	F90 70-10		M 10	10.5	17.0	13.0	25.0	31.5	30.0
A011318	F90 70-12		M 12	13.0	17.0	13.0	25.0	31.5	32.0
A011319	F90 95-8	120	M 8	8.4	20.0	15.0	29.0	32.5	26.0
A011320	F90 95-10		M 10	10.5	20.0	15.0	29.0	32.5	30.0
A011321	F90 95-12		M 12	13.0	20.0	15.0	29.0	32.5	32.0
A011322	F90 95-16	120	M 16	17.0	20.0	15.0	29.0	32.5	36.0
A011323	F90 120-10		M 10	10.5	22.0	17.0	32.0	34.5	30.0
A011324	F90 120-12		M 12	13.0	22.0	17.0	32.0	34.5	32.0
A011325	F90 120-16	M 16	17.0	22.0	17.0	32.0	34.5	36.0	



Angle Compression Cable Lugs, 45°

Features

- With a square viewing window to check the conductor location

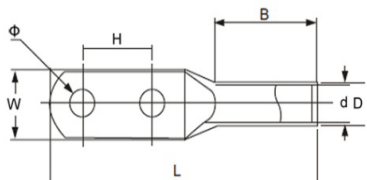
Material

- E-Cu 99.9%

Surface

- Tin plated

Part No.	Item	Cross Section mm ²	Size of Bolt Φ	Dimensions(mm)					
				Φ	D	d	W	B	L
A011401	F45 10-6	10	M 6	6.5	8.0	5.0	13.0	19.0	18.0
A011402	F45 10-8		M 8	8.4	8.0	5.0	13.5	19.0	20.5
A011403	F45 16-6	16	M 6	6.5	9.0	6.0	13.0	23.0	18.0
A011404	F45 16-8		M 8	8.4	9.0	6.0	13.5	23.0	20.5
A011405	F45 25-6	25	M 6	6.5	11.0	8.0	17.0	24.0	18.0
A011406	F45 25-8		M 8	8.4	11.0	8.0	17.0	24.0	20.5
A011407	F45 25-10	35	M 10	10.5	11.0	8.0	17.0	24.0	25.0
A011408	F45 35-6		M 6	6.5	13.0	9.0	18.0	30.0	18.0
A011409	F45 35-8	35	M 8	8.4	13.0	9.0	18.0	30.0	20.5
A011410	F45 35-10		M 10	10.5	13.0	9.0	18.0	30.0	25.0
A011411	F45 50-8	50	M 8	8.4	14.5	11.0	21.0	31.0	26.0
A011412	F45 50-10		M 10	10.5	14.5	11.0	21.0	31.0	30.0
A011413	F45 50-12	70	M 12	13.0	14.5	11.0	21.0	31.0	32.0
A011414	F45 70-8		M 8	8.4	17.0	13.0	25.0	35.0	26.0
A011415	F45 70-10	70	M 10	10.5	17.0	13.0	25.0	35.0	30.0
A011416	F45 70-12		M 12	13.0	17.0	13.0	25.0	35.0	32.0
A011417	F45 95-10	95	M 10	10.5	20.0	15.0	29.0	40.0	30.0
A011418	F45 95-12		M 12	13.0	20.0	15.0	29.0	40.0	32.0
A011419	F45 95-16	120	M 16	17.0	20.0	15.0	29.0	40.0	36.0
A011420	F45 120-10		M 10	10.5	22.0	17.0	32.0	43.0	30.0
A011421	F45 120-12	120	M 12	13.0	22.0	17.0	32.0	43.0	32.0
A011422	F45 120-16		M 16	17.0	22.0	17.0	32.0	43.0	36.0



Compression Cable Lugs, Two Holes

Features

- With two holes on the plam

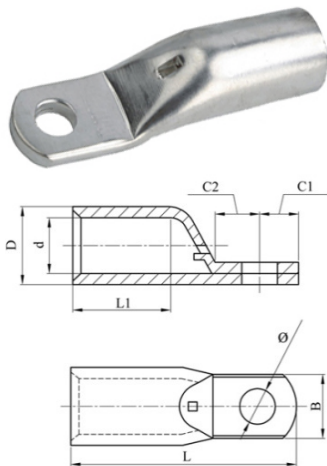
Material

- E-Cu 99.9%

Surface

- Tin plated

Part No.	Item	Dimensions(mm)						
		Φ	D	d	W	B	L	H
A011501	CL14-2H-6	6.4	8.8	5.8	13.0	28.5	117.5	45.0
A011502	CL22-2H-8	8.4	11.3	7.7	16.0	28.5	119.2	45.0
A011503	CL38-2H-10	10.5	12.4	9.8	18.3	31.7	120.0	45.0
A011504	CL38-2H-12	13.0	12.4	9.8	18.3	31.7	120.0	45.0
A011505	CL60-2H-10	10.5	14.0	11.0	20.5	40.0	130.0	45.0
A011506	CL60-2H-12	13.0	14.0	11.0	20.5	40.0	130.0	45.0
A011507	CL70-2H-10	10.5	15.0	12.0	21.4	40.0	130.0	45.0
A011508	CL70-2H-12	13.0	15.0	12.0	21.4	40.0	130.0	45.0
A011509	CL80-2H-12	13.0	16.0	13.0	23.2	40.0	130.0	45.0
A011510	CL100-2H-12	13.0	18.0	14.0	26.0	42.0	132.0	45.0
A011511	CL125-2H-12	13.0	20.0	16.0	29.0	42.0	135.0	45.0
A011512	CL150-2H-12	13.0	22.0	17.0	31.0	50.0	150.0	45.0
A011513	CL180-2H-12	13.0	23.0	18.2	33.0	50.0	150.0	45.0
A011514	CL200-2H-12	13.0	26.0	20.0	37.0	52.5	150.0	45.0
A011515	CL250-2H-12	13.0	28.0	22.0	40.0	50.0	150.0	45.0
A011516	CL325-2H-12	13.0	32.0	25.0	46.0	68.0	180.0	45.0
A011517	CL400-2H-12	13.0	37.0	30.0	54.0	60.0	180.0	45.0
A011518	CL500-2H-12	13.0	40.0	31.0	57.5	60.0	180.0	45.0



Circuit Breaker Cable Lugs

Features

- Narrow palm design for circuit breaker
- With a square viewing window to check the conductor location

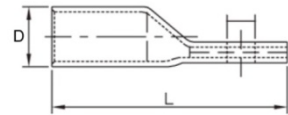
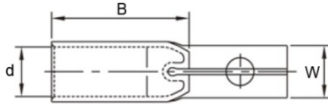
Material

- E-Cu 99.9%

Surface

- Tin plated

Part No.	Item	Cross Section mm ²	Size of Bolt Φ	Dimensions(mm)							
				D	d	L	L1	B	Φ	C2	C1
A011601	NP 10-5	10	M 5	6.3	4.3	27.0	10.0	9.0	5.3	6.5	6.0
A011602	NP 16-5	16	M 5	7.8	5.6	31.0	12.0	9.0	5.3	6.5	6.0
A011603	NP 25-5	25	M 5	9.3	7.0	35.0	14.0	9.0	5.3	6.5	6.0
A011604	NP 35-6	35	M 6	10.8	8.4	40.5	16.0	11.5	6.4	8.0	7.0
A011605	NP 50-8	50	M 8	12.5	9.5	45.5	18.0	12.8	8.4	9.0	8.0
A011606	NP 70-8	70	M 8	14.4	11.2	49.0	19.0	12.8	8.4	9.0	8.0
A011607	NP 95-8	95	M 8	17.5	13.5	54.0	22.0	15.5	8.4	9.0	8.0
A011608	NP 120-8	120	M 8	20.0	15.6	68.0	28.0	19.0	8.4	14.0	9.0
A011609	NP 120-10		M 10	20.0	15.6	68.0	28.0	19.0	10.5	14.0	9.5
A011610	NP 150-8	150	M 8	21.8	16.7	75.0	30.0	19.0	8.4	18.0	9.0
A011611	NP 150-10		M 10	21.8	16.7	75.0	30.0	19.0	10.5	18.0	9.5
A011612	NP 185-10	185	M 10	24.2	19.0	79.0	32.0	24.5	10.5	18.0	9.5
A011613	NP 240-10	240	M 10	27.9	21.1	86.0	42.0	29.8	10.5	13.0	9.5
A011614	NP 240-12		M 12	27.9	21.1	92.0	42.0	29.8	13.2	16.0	12.0
A011615	NP 240-16		M 16	27.9	21.1	100.0	42.0	29.8	17.0	19.0	17.0
A011616	NP 300-12		300	M 12	31.4	23.7	97.0	44.0	31.0	13.2	16.0



Narrow Palm Cable Lugs

Features

- Narrow palm design for the connector takes as little space as necessary

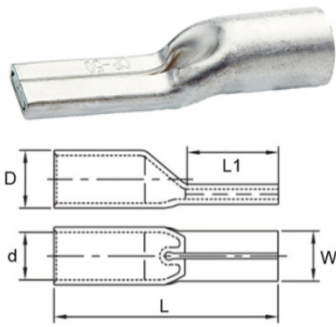
Material

- E-Cu 99.9%

Surface

- Tin plated

Part No.	Item	Cross Section mm ²	Size of Bolt Φ	Dimensions(mm)					
				Φ	D	d	W	B	L
A011701	TPE 50-8	50	M 8	8.5	13	9.8	15	22	50
A011702	TPE 50-10		M 10	11	13	9.8	15	22	50
A011703	TPE 70-8	70	M 8	8.5	15	12	15	24	55
A011704	TPE 70-10		M 10	11	15	12	15	24	55
A011705	TPE 95-8	95	M 8	8.5	17	14	15	27	60
A011706	TPE 95-10		M 10	11	17	14	15	27	60
A011707	TPE 120-8	120	M 8	8.5	20	16	21	31	65
A011708	TPE 120-10		M 10	11	20	16	21	31	65
A011709	TPE 150-10	150	M 10	11	21	17	21	33	72
A011710	TPE 150-12		M 12	13	21	17	21	33	72
A011711	TPE 185-10	185	M 10	11	24	19	26	35	75
A011712	TPE 185-12		M 12	13	24	19	26	35	75
A011713	TPE 240-10	240	M 10	11	26	21	26	42	85
A011714	TPE 240-12		M 12	13	26	21	26	42	85



Flat Tubular Cable Lugs

Features

- Special design for the conductor to the clamp

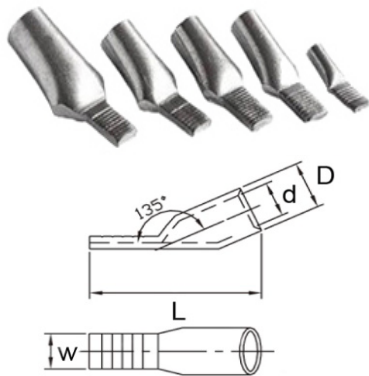
Material

- E-Cu 99.9%

Surface

- Tin plated

Part No.	Item	Cross Section mm ²	Dimensions(mm)				
			D	d	W	L	L1
A011801	CP-10	10	6.8	4.7	5.0	25.0	12.0
A011802	CP-16	16	7.8	5.6	6.0	31.0	15.0
A011803	CP-25	25	9.4	7.1	7.0	34.0	18.0
A011804	CP-35	35	11.3	8.7	9.0	42.0	18.0
A011805	CP-50	50	12.6	9.8	10.0	46.0	21.0



C45 Copper Tube Terminals

Features

- Special design for circuit breaker

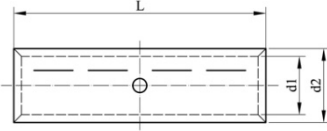
Material

- E-Cu 99.9%

Surface

- Tin plated

Part No.	Item	Cross Section mm ²	Dimensions(mm)			
			D	d	W	L
A011901	C45-4	4	5.0	3.0	6.6	24.0
A011902	C45-6	6	5.9	3.9	7.0	28.0
A011903	C45-10	10	6.9	4.9	7.0	28.0
A011904	C45-16	16	8.1	5.9	7.0	31.0
A011905	C45-25	25	10.0	7.3	7.0	33.0
A011906	C45-35	35	11.2	8.4	7.0	39.0
A011907	C45-50	50	12.5	9.5	7.0	45.0
A011908	C45-70	70	14.7	11.2	7.0	50.0



DIN Compression Joints

Features

- Manufactured according to DIN 46267
- With markings for correct crimping

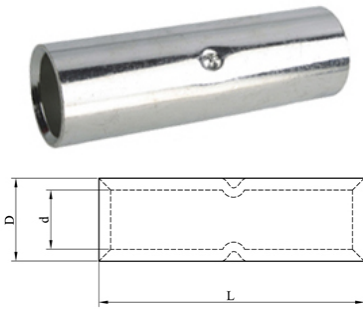
Material

- E-Cu 99.9%

Surface

- Tin plated

Part No.	Item	Cross Section mm ²	Dimensions(mm)		
			L	d2	d1
A020101	DCJ 6	6	30	5.5	3.8
A020102	DCJ 10	10	30	6.0	4.5
A020103	DCJ 16	16	50	8.5	5.5
A020104	DCJ 25	25	50	10.0	7.0
A020105	DCJ 35	35	50	12.5	8.2
A020106	DCJ 50	50	56	14.5	10.0
A020107	DCJ 70	70	56	16.5	11.5
A020108	DCJ 95	95	70	19.0	13.5
A020109	DCJ 120	120	70	21.0	15.5
A020110	DCJ 150	150	80	23.5	17.0
A020111	DCJ 185	185	85	25.5	19.0
A020112	DCJ 240	240	90	29.0	21.5
A020113	DCJ 300	300	100	32.0	24.5
A020114	DCJ 400	400	150	38.5	27.5
A020115	DCJ 500	500	160	42.0	31.0
A020116	DCJ 630	630	160	44.0	34.5
A020117	DCJ 800	800	200	52.0	40.0
A020118	DCJ 1000	1000	200	58.0	44.0



Compression Joints

Features

- Round or Square stop point
- Middle length of tube

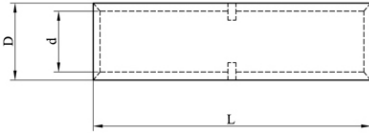
Material

- E-Cu 99.9%

Surface

- Tin plated

Part No.	Item	Cross Section mm ²	Dimension(mm)		
			L	D	d
A020201	MCJ 1.5	1.5	20	3.1	1.9
A020202	MCJ 2.5	2.5	20	4.0	2.8
A020203	MCJ 4	4	20	4.5	3.2
A020204	MCJ 6	6	25	5.1	3.7
A020205	MCJ 10	10	30	6.1	4.5
A020206	MCJ 16	16	35	7.3	5.7
A020207	MCJ 25	25	40	9.0	7.2
A020208	MCJ 35	35	45	10.8	8.5
A020209	MCJ 50	50	50	12.5	9.8
A020210	MCJ 70	70	55	14.5	11.5
A020211	MCJ 95	95	60	17.0	13.7
A020212	MCJ 120	120	65	19.0	15.0
A020213	MCJ 150	150	70	21.0	16.7
A020214	MCJ 185	185	75	23.5	19.2
A020215	MCJ 240	240	80	26.0	21.0
A020216	MCJ 300	300	85	30.0	24.0
A020217	MCJ 400	400	90	34.0	27.0
A020218	MCJ 500	500	100	38.0	30.0
A020219	MCJ 630	630	110	44.0	35.0
A020220	MCJ 800	800	150	50.0	39.0
A020221	MCJ 1000	1000	170	56.0	44.0



Compression Joints

Features

- Short Length of Tube

Material

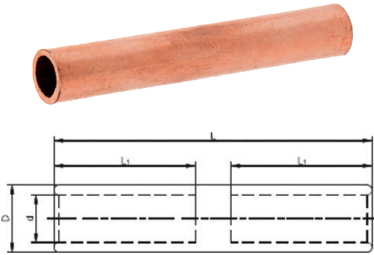
- E-Cu 99.9%

Surface

- Tin plated

Part No.	Item	Cross Section mm ²	Dimensions(mm)		
			L	D	d
A020301	SCJ 1.5	1.5	16.0	3.7	1.8
A020302	SCJ 2.5	2.5	20.0	3.9	2.3
A020303	SCJ 4	4	20.0	4.7	3.0
A020304	SCJ 6	6	20.0	5.9	4.0
A020305	SCJ 10	10	23.0	6.6	4.5
A020306	SCJ 16	16	30.0	7.5	5.5
A020307	SCJ 25	25	35.0	9.1	6.7
A020308	SCJ 35	35	40.0	11.0	8.6
A020309	SCJ 50	50	40.0	12.4	9.5
A020310	SCJ 70	70	45.0	15.0	12.0
A020311	SCJ 95	95	45.0	17.0	13.4
A020312	SCJ 120	120	50.0	19.0	15.0
A020313	SCJ 150	150	55.0	21.2	16.5
A020314	SCJ 185	185	60.0	23.0	19.0
A020315	SCJ 240	240	60.0	26.5	21.0
A020316	SCJ 300	300	70.0	30.0	24.5
A020317	SCJ 400	400	80.0	35.0	27.0

Compression Joints



Features

- With barrier for Oil-stop

Material

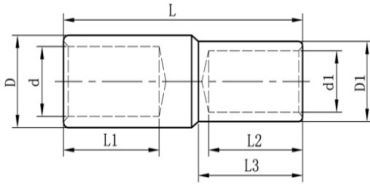
- E-Cu 99.9%

Surface

- Bright

Part No.	Item	Cross Section mm ²	Dimensions(mm)			
			D	d	L	L1
A020901	GT-16	16	9	5.3	60	26
A020902	GT-16A	16	10	6.3	65	28
A020903	GT-25	25	11	7.3	70	32
A020904	GT-35	35	12	8.5	75	34
A020905	GT-50	50	14	9.8	80	37
A020906	GT-70	70	16	11.5	90	42
A020907	GT-95	95	18	13.5	95	44
A020908	GT-120	120	20	15.0	100	47
A020909	GT-150	150	22	16.5	105	49
A020910	GT-185	185	25	18.5	110	52
A020911	GT-240	240	27	21.0	120	57
A020912	GT-300	300	31	23.7	130	62
A020913	GT-400	400	34	26.0	138	65
A020914	GT-500	500	38	29.5	149	70
A020915	GT-630	630	45	35.0	178	82
A020916	GT-800	800	50	38.0	198	95
A020917	GT-1000	1000	60	44.0	238	110

Copper Compression Lugs and Joints



Reduction Copper Link

Features

- For unidentical cross-sections

Material

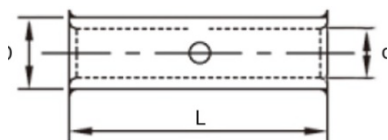
- E-Cu 99.9%

Surface

- Tin plated

Part No.	Item	Cross Section mm ²		Dimensions(mm)							
		Main	Tap	L	L1	D	d	L2	D1	d1	L3
A020501	CASR 6-4	6	4	30	10	5.5	4.0	10	4.8	3.0	15
A020502	CASR 10-6	10	6	30	10	7.1	4.5	10	5.5	4.0	15
A020503	CASR 16-6	16	6	40	19	7.9	5.5	10	5.5	4.0	15
A020504	CASR 16-10	16	10	40	19	7.9	5.5	10	7.1	4.5	15
A020505	CASR 25-6	25	6	40	21	9.5	7.1	10	5.5	4.0	15
A020506	CASR 25-10	25	10	40	21	9.5	7.1	10	7.1	4.5	15
A020507	CASR 25-16	25	16	50	21	9.5	7.1	19	7.9	5.5	24
A020508	CASR 35-10	35	10	40	21	11.5	8.5	10	7.1	4.5	15
A020509	CASR 35-16	35	16	55	21	11.5	8.5	19	7.9	5.5	24
A020510	CASR 35-25	35	25	60	21	11.5	8.5	21	9.8	7.5	27
A020511	CASR 50-10	50	10	45	22	12.8	9.5	10	7.1	4.5	15
A020512	CASR 50-16	50	25	55	22	12.8	9.5	19	7.9	5.5	24
A020513	CASR 50-25	50	25	55	22	12.8	9.5	21	9.8	7.5	27
A020514	CASR 50-35	50	35	60	22	12.8	9.5	21	11.5	8.5	27
A020515	CASR 70-16	70	16	60	24	14.3	11.5	19	7.9	5.5	24
A020516	CASR 70-25	70	25	60	24	14.3	11.5	21	9.8	7.5	27
A020517	CASR 70-35	70	35	65	24	14.3	11.5	21	11.5	8.5	27
A020518	CASR 70-50	70	50	65	24	14.3	11.5	22	12.8	9.5	28
A020519	CASR 95-25	95	25	65	27	17.5	13.5	21	9.8	7.5	27
A020520	CASR 95-35	95	35	65	27	17.5	13.5	21	11.5	8.5	27
A020521	CASR 95-50	95	50	70	27	17.5	13.5	22	12.8	9.5	28
A020522	CASR 95-70	95	70	70	27	17.5	13.5	24	14.7	11.5	30
A020523	CASR 120-35	120	35	70	30	20.6	15.5	21	11.5	8.5	27
A020524	CASR 120-50	120	50	70	30	20.6	15.5	22	12.8	9.5	28
A020525	CASR 120-70	120	70	75	30	20.6	15.5	24	14.7	11.5	30
A020526	CASR 120-95	120	95	75	30	20.6	15.5	27	17.5	13.5	33
A020527	CASR 150-50	150	50	70	30	22.5	16.5	22	12.8	9.5	28
A020528	CASR 150-70	150	70	75	30	22.5	16.5	24	14.7	11.5	30
A020529	CASR 150-95	150	95	80	30	22.5	16.5	27	17.5	13.5	33
A020530	CASR 150-120	150	120	80	30	22.5	16.5	30	20.6	15.5	36

Copper Compression Lugs and Joints



Butt Connectors

Features

- Flared cable entry to easy insertion

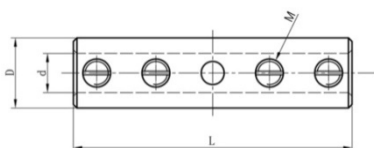
Material

- E-Cu 99.9%

Surface

- Tin plated

Part No.	Item	AWG	Dimensions(mm)		
			L	D	d
A020401	BGA 8	8	25.4	7.1	4.8
A020402	BGA 6	6	27.9	8.1	5.9
A020403	BGA 4	4	31.8	9.5	7.3
A020404	BGA 2	2	35.6	11.1	8.5
A020405	BGA 1	1	35.6	11.7	9.1
A020406	BGA 1/0	1/0	40.6	13.0	10.4
A020407	BGA 2/0	2/0	47.0	14.2	11.7
A020408	BGA 3/0	3/0	49.5	15.7	13.0
A020409	BGA 4/0	4/0	52.1	17.2	14.2



Tube Screw Connectors

Features

- With screws for simple processing

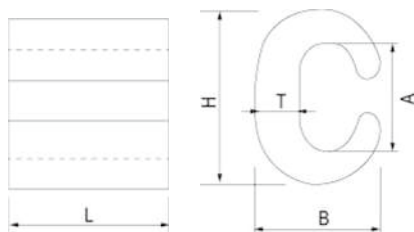
Material

- Brass

Surface

- Nickel plated

Part No.	Item	Cross Section mm ²	Dimensions(mm)			
			L	D	d	M
A020601	ETC 10-16	10-16	40	10.0	5.5	M4
A020602	ETC 16-25	16-25	45	12.0	7.0	M5
A020603	ETC 25-35	25-35	45	13.0	8.5	M6
A020604	ETC 35-50	35-50	50	15.8	10.0	M8
A020605	ETC 50-70	50-70	55	17.0	11.8	M8
A020606	ETC 70-95	70-95	55	20.0	13.6	M8



C Clamp

Features

- For branching conductor

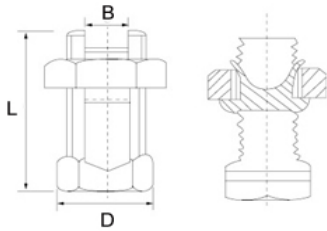
Material

- E-Cu 99.9%

Surface

- Bright or Tin plated

Part No.	Item	Cross Section (Main + Tap) mm ²	Main Dimensions (mm)					
			H	A	B	L	C	T
A020701	CC-10	7.5-14	9.5	6.3	6.2	12.0	4.0	1.6
A020702	CC-16	14.5-16	11.8	7.8	7.8	13.0	5.0	2.0
A020703	CC-20	16.5-20	12.8	8.6	9.7	13.0	5.4	2.9
A020704	CC-26	21-26	14.7	10.2	10.0	16.0	6.5	3.2
A020705	CC-44	27-44	19.0	13.4	14.4	20.0	8.5	4.0
A020706	CC-60	45-60	21.0	15.4	15.4	22.0	9.7	4.0
A020707	CC-76	61-76	24.4	17.3	17.6	22.0	10.8	5.0
A020708	CC-98	77-98	27.8	20.8	18.8	25.0	12.8	5.0
A020709	CC-122	99-122	29.8	22.1	21.2	26.0	13.5	5.5
A020710	CC-154	123-154	34.0	25.7	24.4	28.0	17.0	6.0
A020711	CC-190	155-154	37.0	28.5	25.4	35.0	17.4	6.0
A020712	CC-240	191-240	40.0	30.2	28.5	40.0	19.0	7.0
A020713	CC-288	141-288	44.5	34.7	34.1	45.0	22.3	7.0
A020714	CC-365	189-365	47.5	37.7	34.0	50.0	24.8	7.0
A020715	CC-450	366-450	57.0	42.5	41.0	60.0	28.0	10.0
A020716	CC-560	451-560	62.0	46.0	44.0	65.0	31.0	11.0
A020717	CC-700	561-700	68.0	54.0	49.5	70.0	44.0	12.0



Split Bolts

Features

- For branching conductor

Material

- Brass

Surface

- Copper or Tin plated

Part No.	Item	Dimensions (mm)		
		L	D	B
A020801	SB10	27	13	5.0
A020802	SB16	30	14	6.0
A020803	SB25	32	17	7.0
A020804	SB35	38	17	8.5
A020805	SB50	42	19	10.0
A020806	SB70	46	21	11.0
A020807	SB95	46	26	13.3
A020808	SB120	50	26	14.5
A020809	SB150	55	30	16.5
A020810	SB185	60	30	17.2
A020811	SB240	65	32	19.3