



# C2

## Plastic Tubings and Connectors

POTALO

A MEMBER OF  
**KingGo**

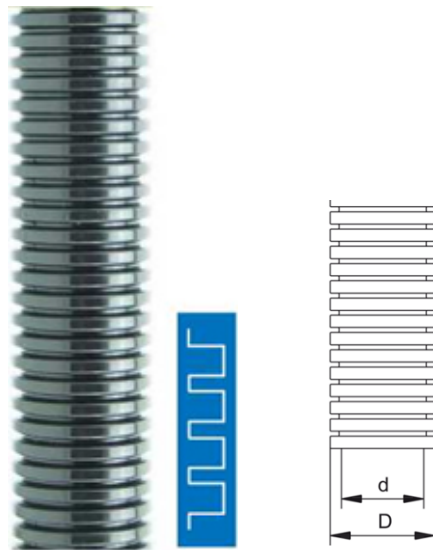
## Index of Plastic Tubings

Item	Descriptions
PA6	Polyamide Tubings
PA6-V2	Flame Retardant Polyamide Tubings - V2
PA6-V0	Flame Retardant Polyamide Tubings - V0
PA6-D	Thick-walled Polyamide Tubings
PA6-DV2	Thick-walled & Flame Retardant Polyamide Tubings - V2
PA6-DV0	Thick-walled & Flame Retardant Polyamide Tubings - V0
PA6-CO	Open end Polyamide Tubings
PA6-HO	Double Deck Openable Polyamide Tubings
PA6-HTP	High Temperature Resistant Polyamide Tubings
PA12	Polyamide 12 Tubings
PA12-D	Thick-walled Polyamide 12 Tubings
PE	Polyethylene Tubings
PE-V0	Flame Retardant Polyethylene Tubings - V0
PP	Polypropylene Tubings
PP-V0	Flame Retardant Polypropylene Tubings - V0
PP-HTP	High Temperature Resistant Polypropylene Tubings



Item	Compression Force	Impact Resistance	Lower Temperature Range	Upper Temperature Range	Short Term Temperature Peak	Resistance to Bending	Flexion Resistance	Tensile Strength	Halogen Free	Flame Retardant
PA6	★★	★★★	-40	115	150	Soft	★★	★★	√	HB
PA6-V2	★★	★★	-40	115	150	Soft	★★	★★	√	V2
PA6-V0	★★	★★	-40	115	150	Soft	★★	★★	√	V0
PA6-D	★★★	★★★	-40	115	150	Soft	★★★	★★★	√	HB
PA6-DV2	★★★	★★	-40	115	150	Soft	★★★	★★★	√	V2
PA6-DV0	★★★	★★	-40	115	150	Soft	★★★	★★★	√	V0
PA6-CO	★	★★	-40	115	150	Soft	★	★	√	HB
PA6-HO	★★	★★	-40	115	150	Soft	★★	★★★	√	HB
PA6-HTP	★★	★★	-40	180	180	Soft	★★	★★	√	HB
PA-12	★★★	★★★	-50	100	150	Soft	★★★	★★★	√	V0
PA12-D	★★★	★★★	-50	100	150	Soft	★★★	★★★	√	V0
PE	★	★	-50	80	100	Very Soft	★★★	★	√	HB
PE-V0	★	★	-50	80	100	Very Soft	★★★	★	√	V0
PP	★★	★	-40	110	130	Hard	★★	★★★	√	HB
PP-V0	★★	★	-40	110	130	Hard	★★	★★★	√	V0
PP-HTP	★★	★	-40	155	155	Hard	★★	★★★	√	HB

★★★ Excellent   ★★ Very Good   ★ Good



**-40°C ~ +115°C ^ +150°C**

**CE**

**IP68**

**RoHS**

## Polyamide Tubings

### Characteristics:

- Air and Liquid tight
- Highly resistant to oil, acid and solvents
- Free of silicon, cadmium, halogen
- Flexible, luster on surface, abrasion resistant
- Racking resistant, high mechanical strength
- Black Tubings are UV-resistant
- HB according to UL94

### Structure:

- Internally and externally corrugated
- All plastic Tubing

### Applications:

- For protectively insulated electrical installations

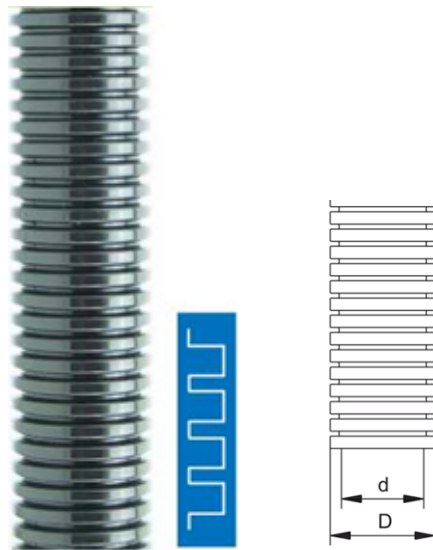
### Material:

- Plastic-PA6

### Color:

- Black and Grey

Part No.	Item		Tubing outer	Dimensions mm	Bending Radius mm		Weight	Lengths in rolls
	Black	Grey	Φ	d x D	Stat	Dyn	kg/m	m/roll
C030101	PA6-AD10.0B	PA6-AD10.0G	AD10.0	6.50x10.0	14.0	35.0	0.018	100
C030102	PA6-AD13.0B	PA6-AD13.0G	AD13.0	9.50x13.0	20.0	45.0	0.023	100
C030103	PA6-AD15.8B	PA6-AD15.8G	AD15.8	12.0x15.8	27.0	55.0	0.035	100
C030104	PA6-AD18.5B	PA6-AD18.5G	AD18.5	14.3x18.5	35.0	65.0	0.050	100(50)
C030105	PA6-AD21.2B	PA6-AD21.2G	AD21.2	17.0x21.2	40.0	75.0	0.056	50
C030106	PA6-AD25.5B	PA6-AD25.5G	AD25.5	21.0x25.5	43.0	85.5	0.067	50
C030107	PA6-AD28.5B	PA6-AD28.5G	AD28.5	23.0x28.5	47.0	100.0	0.090	50
C030108	PA6-AD34.5B	PA6-AD34.5G	AD34.5	29.0x34.5	58.0	120.0	0.123	25
C030109	PA6-AD42.5B	PA6-AD42.5G	AD42.5	36.0x42.5	69.0	150.0	0.172	25
C030110	PA6-AD54.5B	PA6-AD54.5G	AD54.5	48.0x54.5	83.0	190.0	0.215	25
C030111	PA6-AD67.2B	PA6-AD67.2G	AD54.5	56.3x67.2	130.0	270.0	0.360	30
C030112	PA6-AD80.0B	PA6-AD80.0G	AD80.0	66.5x80.0	170.0	350.0	0.440	30



**-40°C ~ +115°C ^ +150°C**

**CE**

**IP68**

**RoHS**

## Flame Retardant Polyamide Tubings – V2

### Characteristics:

- Air and Liquid tight
- Highly resistant to oil, acid and solvents
- Free of silicon, cadmium, halogen
- Flexible, luster on surface, abrasion resistant
- Racking resistant, high mechanical strength
- Black Tubings are UV-resistant
- Flame retardant, self-extinguishing
- V2 according to UL94

### Structure:

- Internally and externally corrugated
- All plastic Tubing

### Applications:

- For protectively insulated electrical installations

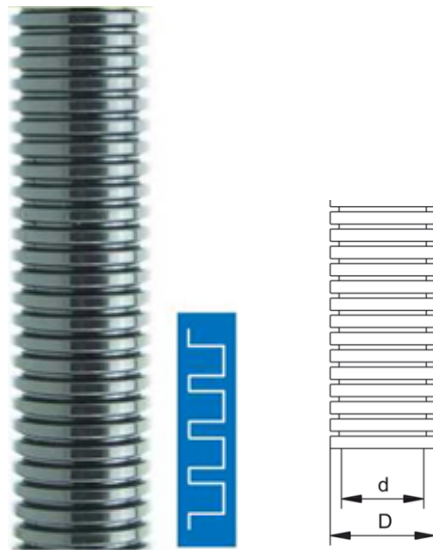
### Material:

- Plastic-PA6

### Color:

- Black and Grey

Part No.	Item		Tubing outer Φ	Dimensions mm d x D	Bending Radius mm		Weight kg/m	Lengths in Rolls m/roll
	Black	Grey			Stat	Dyn		
C030201	PA6-AD10.0B-V2	PA6-AD10.0G-V2	AD10.0	6.50x10.0	14.0	35.0	0.018	100
C030202	PA6-AD13.0B-V2	PA6-AD13.0G-V2	AD13.0	9.50x13.0	20.0	45.0	0.023	100
C030203	PA6-AD15.8B-V2	PA6-AD15.8G-V2	AD15.8	12.0x15.8	27.0	55.0	0.035	100
C030204	PA6-AD18.5B-V2	PA6-AD18.5G-V2	AD18.5	14.3x18.5	35.0	65.0	0.050	100(50)
C030205	PA6-AD21.2B-V2	PA6-AD21.2G-V2	AD21.2	17.0x21.2	40.0	75.0	0.056	50
C030206	PA6-AD25.5B-V2	PA6-AD25.5G-V2	AD25.5	21.0x25.5	43.0	85.5	0.067	50
C030207	PA6-AD28.5B-V2	PA6-AD28.5G-V2	AD28.5	23.0x28.5	47.0	100.0	0.090	50
C030208	PA6-AD34.5B-V2	PA6-AD34.5G-V2	AD34.5	29.0x34.5	58.0	120.0	0.123	25
C030209	PA6-AD42.5B-V2	PA6-AD42.5G-V2	AD42.5	36.0x42.5	69.0	150.0	0.172	25
C030210	PA6-AD54.5B-V2	PA6-AD54.5G-V2	AD54.5	48.0x54.5	83.0	190.0	0.215	25



**-40°C ~ +115°C ^ +150°C**

**CE**

**IP68**

**RoHS**

**Flame Retardant Polyamide Tubings – V0**

**Characteristics:**

- Air and Liquid tight
- Highly resistant to oil, acid and solvents
- Free of silicon, cadmium, halogen
- Flexible, luster on surface, abrasion resistant
- Racking resistant, high mechanical strength
- Black Tubings are UV-resistant
- Flame retardant, self-extinguishing
- V0 according to UL94

**Structure:**

- Internally and externally corrugated
- All plastic Tubing

**Applications:**

- For protectively insulated electrical installations

**Material:**

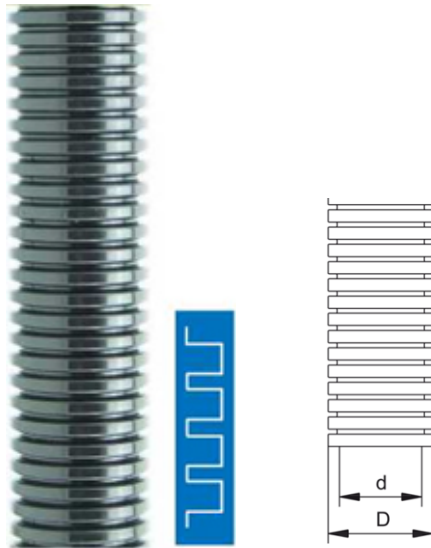
- Plastic-PA6


**Color:**

- Black and Grey

Part No.	Item		Tubing outer Φ	Dimensions mm d x D	Bending Radius mm		Weight kg/m	Lengths in Rolls m/roll
	Black	Grey			Stat	Dyn		
C030301	PA6-AD10.0B-V0	PA6-AD10.0G-V0	AD10.0	6.50x10.0	14.0	35.0	0.018	100
C030302	PA6-AD13.0B-V0	PA6-AD13.0G-V0	AD13.0	9.50x13.0	20.0	45.0	0.023	100
C030303	PA6-AD15.8B-V0	PA6-AD15.8G-V0	AD15.8	12.0x15.8	27.0	55.0	0.035	100
C030304	PA6-AD18.5B-V0	PA6-AD18.5G-V0	AD18.5	14.3x18.5	35.0	65.0	0.050	100(50)
C030305	PA6-AD21.2B-V0	PA6-AD21.2G-V0	AD21.2	17.0x21.2	40.0	75.0	0.056	50
C030306	PA6-AD25.5B-V0	PA6-AD25.5G-V0	AD25.5	21.0x25.5	43.0	85.5	0.067	50
C030307	PA6-AD28.5B-V0	PA6-AD28.5G-V0	AD28.5	23.0x28.5	47.0	100.0	0.090	50
C030308	PA6-AD34.5B-V0	PA6-AD34.5G-V0	AD34.5	29.0x34.5	58.0	120.0	0.123	25
C030309	PA6-AD42.5B-V0	PA6-AD42.5G-V0	AD42.5	36.0x42.5	69.0	150.0	0.172	25
C030310	PA6-AD54.5B-V0	PA6-AD54.5G-V0	AD54.5	48.0x54.5	83.0	190.0	0.215	25

Thick-walled Polyamide Tubings



 **-40°C ~ +115°C ^ +150°C**

**CE**

**IP68**

**RoHS**

Characteristics:

- Air and Liquid tight
- Highly resistant to oil, acid and solvents
- Free of silicon, cadmium, halogen
- Flexible, luster on surface, abrasion resistant
- Racking resistant, high mechanical strength
- Black Tubings are UV-resistant
- HB according to UL94

Structure:

- Internally and externally corrugated
- All plastic Tubing
- Thick-walled

Applications:

- For protectively insulated electrical installations

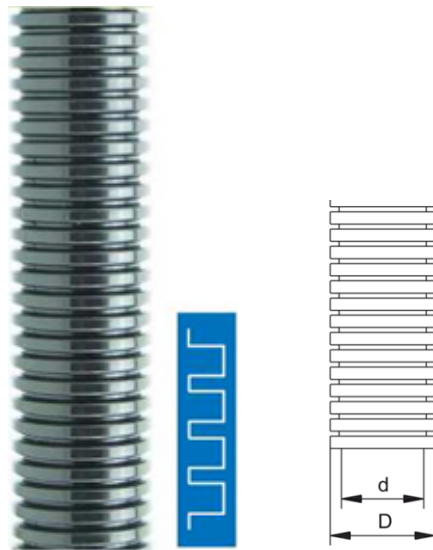
Material:

- Plastic-PA6

Color:

- Black and Grey

Part No.	Item		Tubing outer Φ	Dimensions mm d x D	Bending Radius mm		Weight kg/m	Lengths in Rolls m/roll
	Black	Grey			Stat	Dyn		
C030401	PA6-AD10.0B-D	PA6-AD10.0G-D	AD10.0	6.00x10.0	15	36	0.026	100
C030402	PA6-AD13.0B-D	PA6-AD13.0G-D	AD13.0	9.00x13.0	25	47	0.032	100
C030403	PA6-AD15.8B-D	PA6-AD15.8G-D	AD15.8	11.5x15.8	31	56	0.052	100
C030404	PA6-AD18.5B-D	PA6-AD18.5G-D	AD18.5	13.8x18.5	39	66	0.078	100(50)
C030405	PA6-AD21.2B-D	PA6-AD21.2G-D	AD21.2	16.5x21.2	45	78	0.083	50
C030406	PA6-AD25.5B-D	PA6-AD25.5G-D	AD25.5	20.5x25.5	50	89	0.099	50
C030407	PA6-AD28.5B-D	PA6-AD28.5G-D	AD28.5	22.5x28.5	54	107	0.129	50
C030408	PA6-AD34.5B-D	PA6-AD34.5G-D	AD34.5	28.5x34.5	65	132	0.170	25
C030409	PA6-AD42.5B-D	PA6-AD42.5G-D	AD42.5	35.5x42.5	74	161	0.255	25
C030410	PA6-AD54.5B-D	PA6-AD54.5G-D	AD54.5	47.5x54.5	87	198	0.301	25



**-40°C ~ +115°C ^ +150°C**

**CE**

**IP68**

**RoHS**

**Thick-walled & Flame Retardant Polyamide Tubings – V2**

**Characteristics:**

- Air and Liquid tight
- Highly resistant to oil, acid and solvents
- Free of silicon, cadmium, halogen
- Flexible, luster on surface, abrasion resistant
- Racking resistant, high mechanical strength
- Black Tubings are UV-resistant
- Flame retardant, self-extinguishing
- V2 according to UL94

**Structure:**

- Internally and externally corrugated
- All plastic Tubing
- Thick-walled

**Applications:**

- For protectively insulated electrical installations

**Material:**

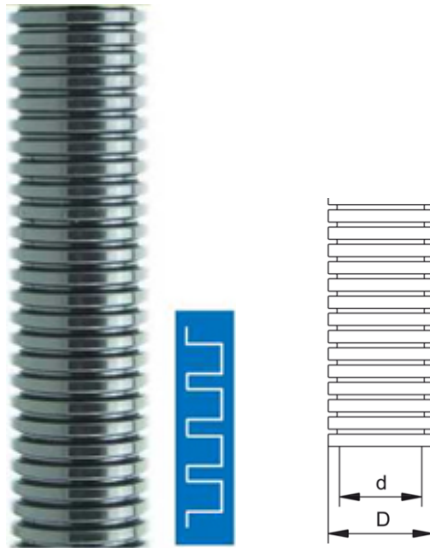
- Plastic-PA6

**Color:**

- Black and Grey

Part No.	Item		Tubing outer Φ	Dimensions mm d x D	Bending Radius mm		Weight kg/m	Lengths in Rolls m/roll
	Black	Grey			Stat	Dyn		
C030501	PA6-AD10.0B-DV2	PA6-AD10.0G-DV2	AD10.0	6.00x10.0	15	36	0.026	100
C030502	PA6-AD13.0B-DV2	PA6-AD13.0G-DV2	AD13.0	9.00x13.0	25	47	0.032	100
C030503	PA6-AD15.8B-DV2	PA6-AD15.8G-DV2	AD15.8	11.5x15.8	31	56	0.052	100
C030504	PA6-AD18.5B-DV2	PA6-AD18.5G-DV2	AD18.5	13.8x18.5	39	66	0.078	100(50)
C030505	PA6-AD21.2B-DV2	PA6-AD21.2G-DV2	AD21.2	16.5x21.2	45	78	0.083	50
C030506	PA6-AD25.5B-DV2	PA6-AD25.5G-DV2	AD25.5	20.5x25.5	50	89	0.099	50
C030507	PA6-AD28.5B-DV2	PA6-AD28.5G-DV2	AD28.5	22.5x28.5	54	107	0.129	50
C030508	PA6-AD34.5B-DV2	PA6-AD34.5G-DV2	AD34.5	28.5x34.5	65	132	0.170	25
C030509	PA6-AD42.5B-DV2	PA6-AD42.5G-DV2	AD42.5	35.5x42.5	74	161	0.255	25
C030510	PA6-AD54.5B-DV2	PA6-AD54.5G-DV2	AD54.5	47.5x54.5	87	198	0.301	25

## Thick-walled & Flame Retardant Polyamide Tubings – V0



**-40°C ~ +115°C ^ +150°C**

**CE**

**IP68**

**RoHS**

### Characteristics:

- Air and Liquid tight
- Highly resistant to oil, acid and solvents
- Free of silicon, cadmium, halogen
- Flexible, luster on surface, abrasion resistant
- Racking resistant, high mechanical strength
- Black Tubings are UV-resistant
- Flame retardant, self-extinguishing
- V0 according to UL94

### Structure:

- Internally and externally corrugated
- All plastic Tubing
- Thick-walled

### Applications:

- For protectively insulated electrical installations

### Material:

- Plastic-PA6

### Color:

- Black and Grey

Part No.	Item		Tubing outer Φ	Dimensions mm d x D	Bending Radius mm		Weight kg/m	Lengths in Rolls m/roll
	Black	Grey			Stat	Dyn		
C030601	PA6-AD10.0B-DV0	PA6-AD10.0G-DV0	AD10.0	6.00x10.0	15	36	0.026	100
C030602	PA6-AD13.0B-DV0	PA6-AD13.0G-DV0	AD13.0	9.00x13.0	25	47	0.032	100
C030603	PA6-AD15.8B-DV0	PA6-AD15.8G-DV0	AD15.8	11.5x15.8	31	56	0.052	100
C030604	PA6-AD18.5B-DV0	PA6-AD18.5G-DV0	AD18.5	13.8x18.5	39	66	0.078	100(50)
C030605	PA6-AD21.2B-DV0	PA6-AD21.2G-DV0	AD21.2	16.5x21.2	45	78	0.083	50
C030606	PA6-AD25.5B-DV0	PA6-AD25.5G-DV0	AD25.5	20.5x25.5	50	89	0.099	50
C030607	PA6-AD28.5B-DV0	PA6-AD28.5G-DV0	AD28.5	22.5x28.5	54	107	0.129	50
C030608	PA6-AD34.5B-DV0	PA6-AD34.5G-DV0	AD34.5	28.5x34.5	65	132	0.170	25
C030609	PA6-AD42.5B-DV0	PA6-AD42.5G-DV0	AD42.5	35.5x42.5	74	161	0.255	25
C030610	PA6-AD54.5B-DV0	PA6-AD54.5G-DV0	AD54.5	47.5x54.5	87	198	0.301	25

Open End Polyamide Tubings



**-40°C ~ +115°C ^ +150°C**

**CE**

**IP68**

**RoHS**

Characteristics:

- Air and Liquid tight
- Highly resistant to oil, acid and solvents
- Free of silicon, cadmium, halogen
- Flexible, luster on surface, abrasion resistant
- Racking resistant, high mechanical strength
- Black Tubings are UV-resistant
- HB according to UL94

Structure:

- Internally and externally corrugated
- All plastic Tubing
- Cut opened

Applications:

- For protectively insulated electrical installations
- Embedding cable inside the tube in specific situation for easy installation.

Material:

- Plastic-PA6

Color:

- Black and Grey

Part No.	Item		Tubing outer Φ	Dimensions mm d x D	Bending Radius mm		Weight kg/m	Lengths in Rolls m/roll
	Black	Grey			Stat	Dyn		
C030701	PA6-AD10.0B-CO	PA6-AD10.0G-CO	AD10.0	6.50x10.0	14.0	35.0	0.018	100
C030702	PA6-AD13.0B-CO	PA6-AD13.0G-CO	AD13.0	9.50x13.0	20.0	45.0	0.023	100
C030703	PA6-AD15.8B-CO	PA6-AD15.8G-CO	AD15.8	12.0x15.8	27.0	55.0	0.035	100
C030704	PA6-AD18.5B-CO	PA6-AD18.5G-CO	AD18.5	14.3x18.5	35.0	65.0	0.050	100(50)
C030705	PA6-AD21.2B-CO	PA6-AD21.2G-CO	AD21.2	17.0x21.2	40.0	75.0	0.056	50
C030706	PA6-AD25.5B-CO	PA6-AD25.5G-CO	AD25.5	21.0x25.5	43.0	85.5	0.067	50
C030707	PA6-AD28.5B-CO	PA6-AD28.5G-CO	AD28.5	23.0x28.5	47.0	100.0	0.090	50
C030708	PA6-AD34.5B-CO	PA6-AD34.5G-CO	AD34.5	29.0x34.5	58.0	120.0	0.123	25
C030709	PA6-AD42.5B-CO	PA6-AD42.5G-CO	AD42.5	36.0x42.5	69.0	150.0	0.172	25
C030710	PA6-AD54.5B-CO	PA6-AD54.5G-CO	AD54.5	48.0x54.5	83.0	190.0	0.215	25



 **-40°C ~ +115°C ^ +150°C**

**CE**

**IP68**

**RoHS**

### Double Deck Openable Polyamide Tubings

#### Characteristics:

- Air and Liquid tight
- Highly resistant to oil, acid and solvents
- Free of silicon, cadmium, halogen
- Flexible, luster on surface, abrasion resistant
- Racking resistant, high mechanical strength
- Black Tubings are UV-resistant
- HB according to UL94

#### Structure:

- Internally and externally corrugated
- All plastic Tubing
- Holding-on

#### Applications:

- For protectively insulated electrical installations. Embed cable into inner tubing. And then embed inner tubing into outer tubing with both thread grooves cross jointed with each other. From the outside, it looks like an integrated tube.

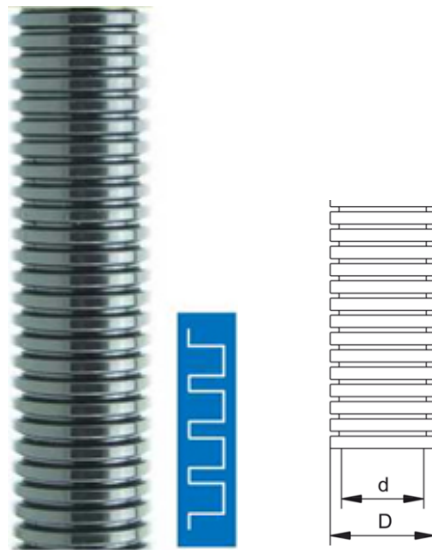
#### Material:

- Plastic-PA6

#### Color:

- Black and Grey

Part No.	Item		Tubing outer Φ	Dimensions mm d x D	Bending Radius mm Stat	Weight kg/m	Lengths in Rolls m/roll
	Black	Grey					
C030801	PA6-AD14.0B-HO	PA6-AD14.0G-HO	AD14.0	9.20x14.0	55	0.035	50
C030802	PA6-AD19.8B-HO	PA6-AD19.8G-HO	AD19.8	12.9x19.8	75	0.061	50
C030803	PA6-AD25.9B-HO	PA6-AD25.9G-HO	AD25.9	19.8x25.9	105	0.082	50
C030804	PA6-AD31.3B-HO	PA6-AD31.3G-HO	AD31.3	23.7x31.3	125	0.118	50
C030805	PA6-AD41.9B-HO	PA6-AD41.9G-HO	AD41.9	31.7x41.9	170	0.190	25
C030806	PA6-AD54.7B-HO	PA6-AD54.7G-HO	AD54.7	43.1x54.7	190	0.250	25



-40°C ~ +180°C

CE

IP68

RoHS

High Temperature Resistant  
Polyamide Tubings

Characteristics:

- High temperature resistant
- Air and Liquid tight
- Highly resistant to oil, acid and solvents
- Free of silicon, cadmium, halogen
- Flexible, luster on surface, abrasion resistant
- Racking resistant, high mechanical strength
- Black Tubings are UV-resistant
- HB according to UL94

Structure:

- Internally and externally corrugated
- All plastic Tubing

Applications:

- For protectively insulated electrical installations
- Suitable for applications to meet heat-resistant requirements.

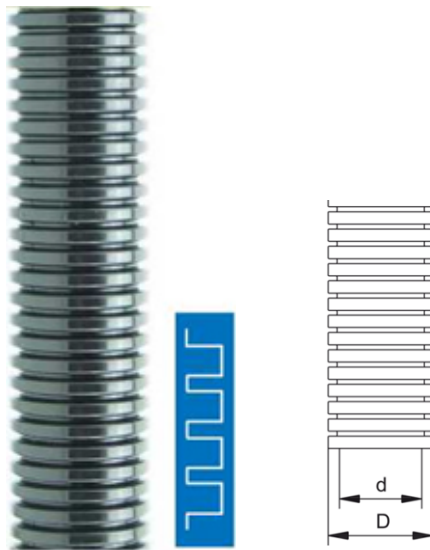
Material:

- Plastic-PA6

Color:

- Black and Grey

Part No.	Item		Tubing outer Φ	Dimensions mm d x D	Bending Radius mm		Weight kg/m	Lengths in Rolls m/roll
	Black	Grey			Stat	Dyn		
C030901	PA6-AD10.0B-HTP	PA6-AD10.0G-HTP	AD10.0	6.50x10.0	14.0	35.0	0.018	100
C030902	PA6-AD13.0B-HTP	PA6-AD13.0G-HTP	AD13.0	9.50x13.0	20.0	45.0	0.023	100
C030903	PA6-AD15.8B-HTP	PA6-AD15.8G-HTP	AD15.8	12.0x15.8	27.0	55.0	0.035	100
C030904	PA6-AD18.5B-HTP	PA6-AD18.5G-HTP	AD18.5	14.3x18.5	35.0	65.0	0.05	100(50)
C030905	PA6-AD21.2B-HTP	PA6-AD21.2G-HTP	AD21.2	17.0x21.2	40.0	75.0	0.056	50
C030906	PA6-AD25.5B-HTP	PA6-AD25.5G-HTP	AD25.5	21.0x25.5	43.0	85.5	0.067	50
C030907	PA6-AD28.5B-HTP	PA6-AD28.5G-HTP	AD28.5	23.0x28.5	47.0	100.0	0.09	50
C030908	PA6-AD34.5B-HTP	PA6-AD34.5G-HTP	AD34.5	29.0x34.5	58.0	120.0	0.123	25
C030909	PA6-AD42.5B-HTP	PA6-AD42.5G-HTP	AD42.5	36.0x42.5	69.0	150.0	0.172	25
C030910	PA6-AD54.5B-HTP	PA6-AD54.5G-HTP	AD54.5	48.0x54.5	83.0	190.0	0.215	25



**-50°C ~ +100°C ^ +150°C**

**CE**

**IP68**

**RoHS**

## Polyamide 12 Tubings

### Characteristics:

- High alternate bending strength
- Improved insulation properties
- Air and Liquid tight
- Highly resistant to oil, acid and solvents
- Free of silicon, cadmium, halogen
- Flexible, luster on surface, abrasion resistant
- Racking resistant, high mechanical strength
- Black Tubings are UV-resistant
- Flame retardant, self-extinguishing
- HB according to UL94

### Structure:

- Internally and externally corrugated
- All plastic Tubing

### Applications:

- For protectively insulated electrical installations
- Suitable for applications to meet bending endurance and insulation requirements.

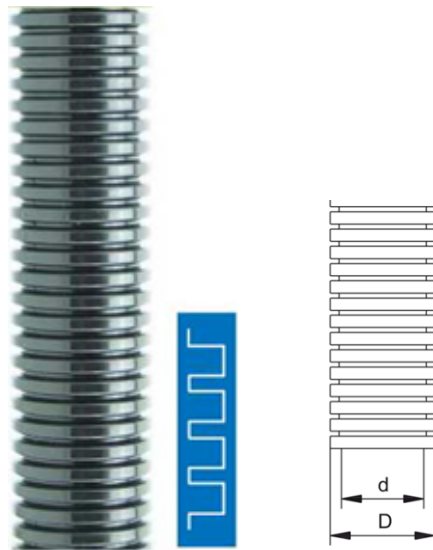
### Material:

- Plastic-PA12

### Color:

- Black and Grey

Part No.	Item		Tubing outer Φ	Dimensions mm d x D	Bending Radius mm		Weight kg/m	Lengths in Rolls m/roll
	Black	Grey			Stat	Dyn		
C031001	PA12-AD10.0B	PA12-AD10.0G	AD10.0	6.50x10.0	13	35	0.022	100
C031002	PA12-AD13.0B	PA12-AD13.0G	AD13.0	9.50x13.0	15	45	0.025	100
C031003	PA12-AD15.8B	PA12-AD15.8G	AD15.8	12.0x15.8	22	55	0.036	100
C031004	PA12-AD18.5B	PA12-AD18.5G	AD18.5	14.3x18.5	27	65	0.053	100(50)
C031005	PA12-AD21.2B	PA12-AD21.2G	AD21.2	17.0x21.2	35	75	0.062	50
C031006	PA12-AD25.5B	PA12-AD25.5G	AD25.5	21.0x25.5	40	100	0.075	50
C031007	PA12-AD28.5B	PA12-AD28.5G	AD28.5	23.0x28.5	45	120	0.094	50
C031008	PA12-AD34.5B	PA12-AD34.5G	AD34.5	29.0x34.5	50	135	0.122	25
C031009	PA12-AD42.5B	PA12-AD42.5G	AD42.5	36.0x42.5	80	150	0.167	25
C031010	PA12-AD54.5B	PA12-AD54.5G	AD54.5	48.0x54.5	100	190	0.225	25



-50°C ~ +100°C ^ +150°C

CE

IP68

RoHS

Thick-walled Polyamide 12 Tubings

Characteristics:

- High alternate bending strength
- Improved insulation properties
- Air and Liquid tight
- Highly resistant to oil, acid and solvents
- Free of silicon, cadmium, halogen
- Flexible, luster on surface, abrasion resistant
- Racking resistant, high mechanical strength
- Black Tubings are UV-resistant
- Flame retardant, self-extinguishing
- V2 according to UL94

Structure:

- Internally and externally corrugated
- All plastic Tubing
- Thick-walled

Applications:

- For protectively insulated electrical installations
- Suitable for applications to meet bending endurance and insulation requirements.

Material:

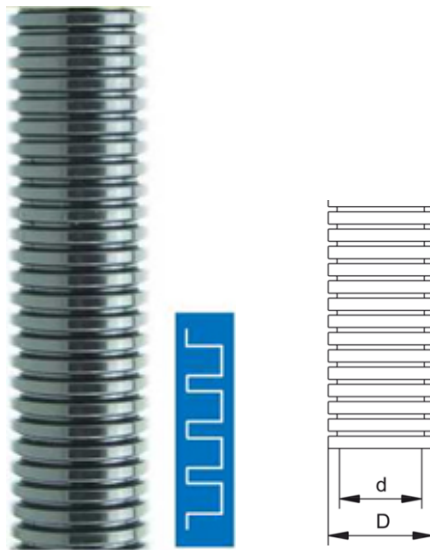
- Plastic-PA12

Color:

- Black and Grey

Part No.	Item		Tubing outer Φ	Dimensions mm d x D	Bending Radius mm		Weight kg/m	Lengths in Rolls m/roll
	Black	Grey			Stat	Dyn		
C031101	PA12-AD10.0B-D	PA12-AD10.0G-D	AD10.0	6.00x10.0	15	36	0.026	100
C031102	PA12-AD13.0B-D	PA12-AD13.0G-D	AD13.0	9.00x13.0	25	47	0.032	100
C031103	PA12-AD15.8B-D	PA12-AD15.8G-D	AD15.8	11.5x15.8	31	56	0.052	100
C031104	PA12-AD18.5B-D	PA12-AD18.5G-D	AD18.5	13.8x18.5	39	66	0.078	100(50)
C031105	PA12-AD21.2B-D	PA12-AD21.2G-D	AD21.2	16.5x21.2	45	78	0.083	50
C031106	PA12-AD25.5B-D	PA12-AD25.5G-D	AD25.5	20.5x25.5	50	89	0.099	50
C031107	PA12-AD28.5B-D	PA12-AD28.5G-D	AD28.5	22.5x28.5	54	107	0.129	50
C031108	PA12-AD34.5B-D	PA12-AD34.5G-D	AD34.5	28.5x34.5	65	132	0.170	25
C031109	PA12-AD42.5B-D	PA12-AD42.5G-D	AD42.5	35.5x42.5	74	161	0.255	25
C031110	PA12-AD54.5B-D	PA12-AD54.5G-D	AD54.5	47.5x54.5	87	198	0.301	25

## Polyethylene Tubings



**-50°C ~ +80°C ^ +100°C**

**CE**

**IP68**

**RoHS**

### Characteristics:

- Air and Liquid tight
- Highly resistant to oil, acid and solvents
- Free of silicon, cadmium, halogen
- Better flexible, luster on surface
- HB according to UL94

### Structure:

- Internally and externally corrugated
- All plastic Tubing

### Applications:

- For protectively insulated electrical installations
- Suitable for applications to meet flexible protection requirements.

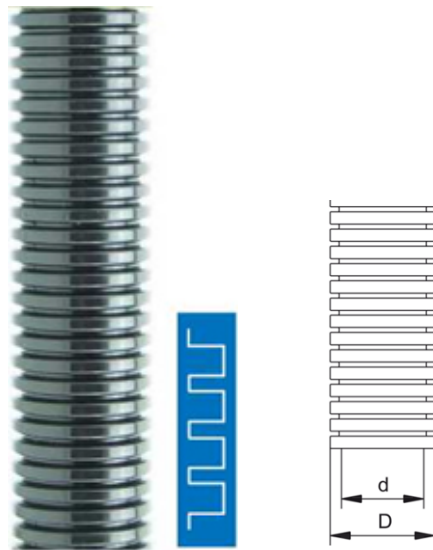
### Material:

- Plastic-PE

### Color:

- Black and Grey

Part No.	Item		Tubing outer Φ	Dimensions mm d x D	Bending Radius mm		Weight kg/m	Lengths in Rolls m/roll
	Black	Grey			Stat	Dyn		
C031201	PE-AD10.0B	PE-AD10.0G	AD10.0	6.50x10.0	13	33	0.014	100
C031202	PE-AD13.0B	PE-AD13.0G	AD13.0	9.50x13.0	18	41	0.023	100
C031203	PE-AD15.8B	PE-AD15.8G	AD15.8	12.0x15.8	22	50	0.031	100
C031204	PE-AD18.5B	PE-AD18.5G	AD18.5	14.3x18.5	33	61	0.037	100(50)
C031205	PE-AD21.2B	PE-AD21.2G	AD21.2	17.0x21.2	38	72	0.048	50
C031206	PE-AD25.5B	PE-AD25.5G	AD25.5	21.0x25.5	40	80	0.056	50
C031207	PE-AD28.5B	PE-AD28.5G	AD28.5	23.0x28.5	44	92	0.082	50
C031208	PE-AD34.5B	PE-AD34.5G	AD34.5	29.0x34.5	53	113	0.090	25
C031209	PE-AD42.5B	PE-AD42.5G	AD42.5	36.0x42.5	61	140	0.135	25
C031210	PE-AD54.5B	PE-AD54.5G	AD54.5	48.0x54.5	78	180	0.185	25



**-50°C ~ +80°C ^ +100°C**

**CE**

**IP68**

**RoHS**

## Flame Retardant Polyethylene Tubings – V0

### Characteristics:

- Air and Liquid tight
- Highly resistant to oil, acid and solvents
- Free of silicon, cadmium, halogen
- Better flexible, luster on surface
- Flame retardant, self-extinguishing
- V0 according to UL94

### Structure:

- Internally and externally corrugated
- All plastic Tubing

### Applications:

- For protectively insulated electrical installations
- Suitable for applications to meet flexible protection requirements.

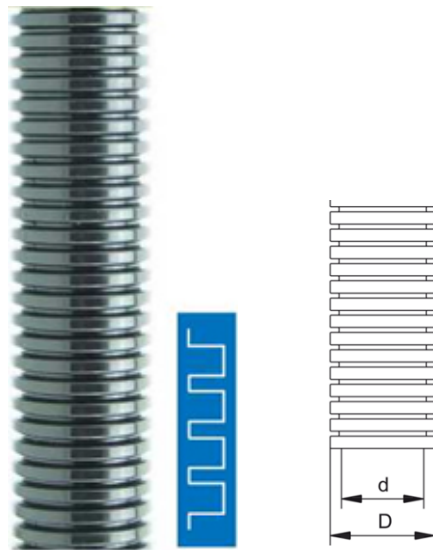
### Material:

- Plastic-PE

### Color:

- Black and Grey

Part No.	Item		Tubing outer Φ	Dimensions mm d x D	Bending Radius mm		Weight kg/m	Lengths in Rolls m/roll
	Black	Grey			Stat	Dyn		
C031301	PE-AD10.0B-V0	PE-AD10.0G-V0	AD10.0	6.50x10.0	13	33	0.014	100
C031302	PE-AD13.0B-V0	PE-AD13.0G-V0	AD13.0	9.50x13.0	18	41	0.023	100
C031303	PE-AD15.8B-V0	PE-AD15.8G-V0	AD15.8	12.0x15.8	22	50	0.031	100
C031304	PE-AD18.5B-V0	PE-AD18.5G-V0	AD18.5	14.3x18.5	33	61	0.037	100(50)
C031305	PE-AD21.2B-V0	PE-AD21.2G-V0	AD21.2	17.0x21.2	38	72	0.048	50
C031306	PE-AD25.5B-V0	PE-AD25.5G-V0	AD25.5	21.0x25.5	40	80	0.056	50
C031307	PE-AD28.5B-V0	PE-AD28.5G-V0	AD28.5	23.0x28.5	44	92	0.082	50
C031308	PE-AD34.5B-V0	PE-AD34.5G-V0	AD34.5	29.0x34.5	53	113	0.090	25
C031309	PE-AD42.5B-V0	PE-AD42.5G-V0	AD42.5	36.0x42.5	61	140	0.135	25
C031310	PE-AD54.5B-V0	PE-AD54.5G-V0	AD54.5	48.0x54.5	78	180	0.185	25



**-40°C ~ +110°C ^ +130°C**

**CE**

**IP68**

**RoHS**

## Polypropylene Tubings

### Characteristics:

- Air and Liquid tight
- Highly resistant to oil, acid and solvents
- Free of silicon, cadmium, halogen
- Lower flexible, luster on surface, abrasion resistant
- Racking resistant, high mechanical strength HB according to UL94

### Structure:

- Internally and externally corrugated
- All plastic Tubing

### Applications:

- For protectively insulated electrical installations
- Suitable for application to meet high hardness requirements.

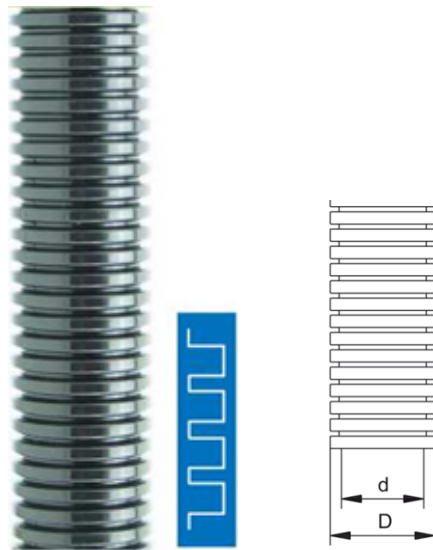
### Material:

- Plastic-PP

### Color:

- Black and Grey

Part No.	Item		Tubing outer Φ	Dimensions mm d x D	Bending Radius mm		Weight kg/m	Lengths in Rolls m/roll
	Black	Grey			Stat	Dyn		
C031401	PP-AD10.0B	PP-AD10.0G	AD10.0	6.50x10.0	16	37	0.014	100
C031402	PP-AD13.0B	PP-AD13.0G	AD13.0	9.50x13.0	21	48	0.025	100
C031403	PP-AD15.8B	PP-AD15.8G	AD15.8	12.0x15.8	26	56	0.036	100
C031404	PP-AD18.5B	PP-AD18.5G	AD18.5	14.3x18.5	37	70	0.047	100(50)
C031405	PP-AD21.2B	PP-AD21.2G	AD21.2	17.0x21.2	44	79	0.054	50
C031406	PP-AD25.5B	PP-AD25.5G	AD25.5	21.0x25.5	49	88	0.061	50
C031407	PP-AD28.5B	PP-AD28.5G	AD28.5	23.0x28.5	52	104	0.089	50
C031408	PP-AD34.5B	PP-AD34.5G	AD34.5	29.0x34.5	58	123	0.100	25
C031409	PP-AD42.5B	PP-AD42.5G	AD42.5	36.0x42.5	68	152	0.147	25
C031410	PP-AD54.5B	PP-AD54.5G	AD54.5	48.0x54.5	84	193	0.196	25



-40°C ~ +110°C ^ +130°C

CE

IP68

RoHS

Flame Retardant Polypropylene Tubings – V0

Characteristics:

- Air and Liquid tight
- Highly resistant to oil, acid and solvents
- Free of silicon, cadmium, halogen
- Lower flexible, luster on surface, abrasion resistant
- Racking resistant, high mechanical strength
- Flame retardant, self-extinguishing
- V0 according to UL94

Structure:

- Internally and externally corrugated
- All plastic Tubing

Applications:

- For protectively insulated electrical installations
- Suitable for application to meet high hardness requirements.

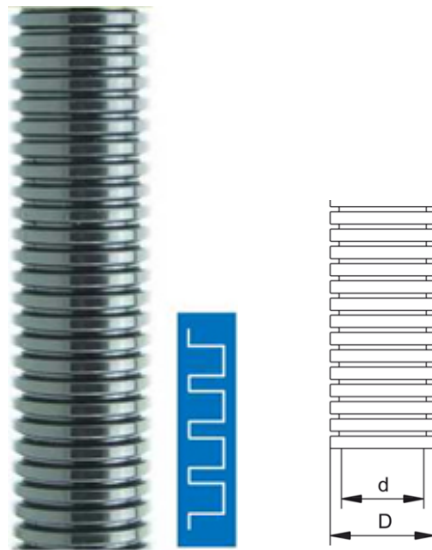
Material:

- Plastic-PP

Color:

- Black and Grey

Part No.	Item		Tubing outer Φ	Dimensions mm d x D	Bending Radius mm		Weight kg/m	Lengths in Rolls m/roll
	Black	Grey			Stat	Dyn		
C031501	PP-AD10.0B-V0	PP-AD10.0G-V0	AD10.0	6.50x10.0	16	37	0.014	100
C031502	PP-AD13.0B-V0	PP-AD13.0G-V0	AD13.0	9.50x13.0	21	48	0.025	100
C031503	PP-AD15.8B-V0	PP-AD15.8G-V0	AD15.8	12.0x15.8	26	56	0.036	100
C031504	PP-AD18.5B-V0	PP-AD18.5G-V0	AD18.5	14.3x18.5	37	70	0.047	100(50)
C031505	PP-AD21.2B-V0	PP-AD21.2G-V0	AD21.2	17.0x21.2	44	79	0.054	50
C031506	PP-AD25.5B-V0	PP-AD25.5G-V0	AD25.5	21.0x25.5	49	88	0.061	50
C031507	PP-AD28.5B-V0	PP-AD28.5G-V0	AD28.5	23.0x28.5	52	104	0.089	50
C031508	PP-AD34.5B-V0	PP-AD34.5G-V0	AD34.5	29.0x34.5	58	123	0.100	25
C031509	PP-AD42.5B-V0	PP-AD42.5G-V0	AD42.5	36.0x42.5	68	152	0.147	25
C031510	PP-AD54.5B-V0	PP-AD54.5G-V0	AD54.5	48.0x54.5	84	193	0.196	25



 **-40°C ~ +150°C**

**CE**

**IP68**

**RoHS**

**High Temperature Resistant Polypropylene Tubings – V0**

**Characteristics:**

- High temperature resistant
- Air and Liquid tight
- Highly resistant to oil, acid and solvents
- Free of silicon, cadmium, halogen
- Lower flexible, luster on surface, abrasion resistant
- Racking resistant, high mechanical strength
- HB according to UL94

**Structure:**

- Internally and externally corrugated
- All plastic Tubing

**Applications:**

- For protectively insulated electrical installations
- Suitable for application to meet heat resistant requirements.

**Material:**

- Plastic-PP

**Color:**

- Black and Grey

Part No.	Item		Tubing outer Φ	Dimensions mm d x D	Bending Radius mm		Weight kg/m	Lengths in Rolls m/roll
	Black	Grey			Stat	Dyn		
C031601	PP-AD10.0B-HTP	PP-AD10.0G-HTP	AD10.0	6.50x10.0	16	37	0.014	100
C031602	PP-AD13.0B-HTP	PP-AD13.0G-HTP	AD13.0	9.50x13.0	21	48	0.025	100
C031603	PP-AD15.8B-HTP	PP-AD15.8G-HTP	AD15.8	12.0x15.8	26	56	0.036	100
C031604	PP-AD18.5B-HTP	PP-AD18.5G-HTP	AD18.5	14.3x18.5	37	70	0.047	100(50)
C031605	PP-AD21.2B-HTP	PP-AD21.2G-HTP	AD21.2	17.0x21.2	44	79	0.054	50
C031606	PP-AD25.5B-HTP	PP-AD25.5G-HTP	AD25.5	21.0x25.5	49	88	0.061	50
C031607	PP-AD28.5B-HTP	PP-AD28.5G-HTP	AD28.5	23.0x28.5	52	104	0.089	50
C031608	PP-AD34.5B-HTP	PP-AD34.5G-HTP	AD34.5	29.0x34.5	58	123	0.100	25
C031609	PP-AD42.5B-HTP	PP-AD42.5G-HTP	AD42.5	36.0x42.5	68	152	0.147	25
C031610	PP-AD54.5B-HTP	PP-AD54.5G-HTP	AD54.5	48.0x54.5	84	193	0.196	25



 **-55°C ~ +110°C ^ +130°C**

**Polyamide Braid Pipes**

**Characteristics:**

- Free of silicon, cadmium, halogen
- Flame retardant, self-extinguishing
- V0 according to UL94

**Structure:**

- Braid
- All plastic Tubing

**Applications:**

- For protectively insulated electrical installations
- Suitable for application to meet high hardness requirements.

**Material:**

- Plastic-PA

**Color:**

- Black, Grey and other Colors

Part No.	Item		Tubing outer Φ
	Black	Grey	
C031701	PBP-AD5B	PBP-AD5G	4-10
C031702	PBP-AD10B	PBP-AD10G	7-14
C031703	PBP-AD15B	PBP-AD15G	10-22
C031704	PBP-AD20B	PBP-AD20G	18-27
C031705	PBP-AD25B	PBP-AD25G	19-35
C031706	PBP-AD30B	PBP-AD30G	28-42
C031707	PBP-AD40B	PBP-AD40G	29-58
C031708	PBP-AD50B	PBP-AD50G	35-80



 **-55°C ~ +110°C ^ +130°C**

**Metal Braid Pipes**

**Characteristics:**

- Heat insulating, EMV

**Structure:**

- Braid

**Applications:**

- For protectively insulated electrical installations
- Suitable for application to meet high hardness requirements.

**Material:**

- Tinned Copper

**Color:**

- Silver

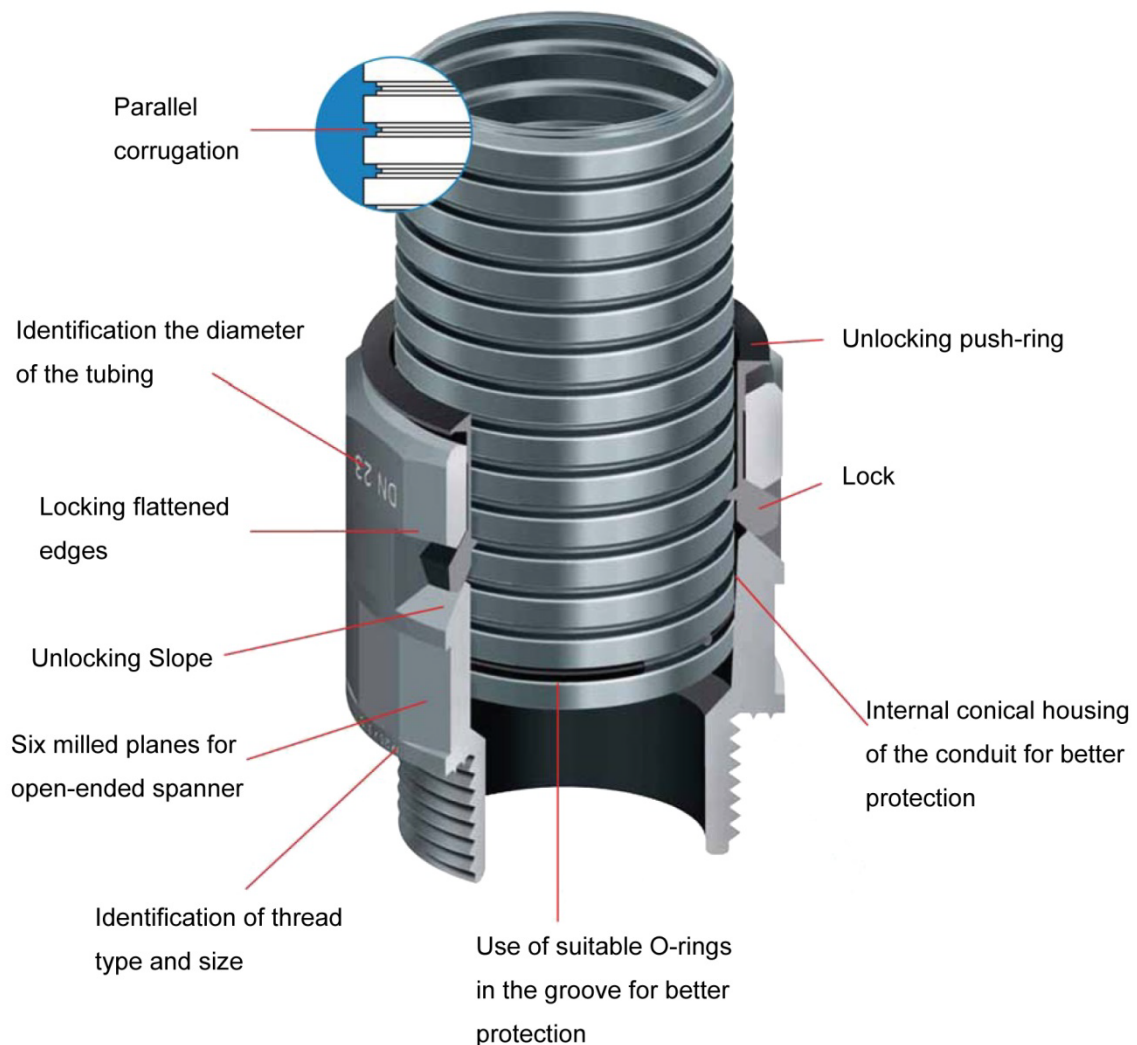
Part No.	Item Black	Tubing outer Φ
C031801	MBP-AD6B	5~12
C031802	MBP-AD10B	8~17
C031803	MBP-AD15B	12~22
C031804	MBP-AD20B	16~27
C031805	MBP-AD25B	20~35
C031806	MBP-AD35B	25~45
C031807	MBP-AD40B	35~55

## Features of Plastic Tubing with Conduit

**Easy:** Quick assembly and removal

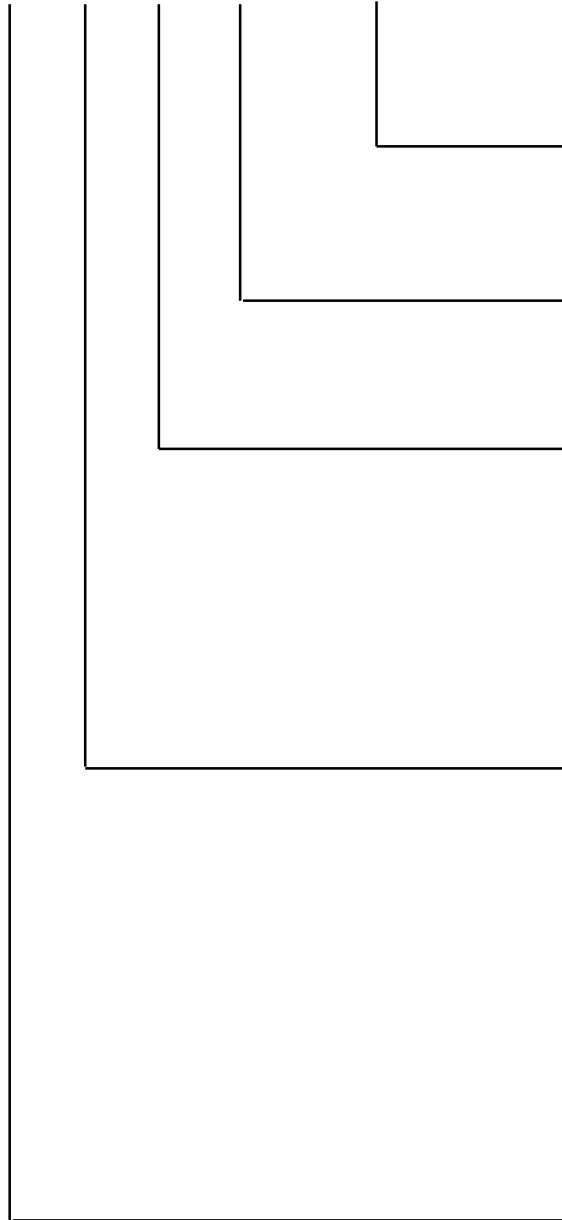
**Safe:** Light, free of hazardous substance

**Dust-free & Watertight:** Tubing-protection up to IP68



## Types of Plastic Connectors

### S K Z E – M



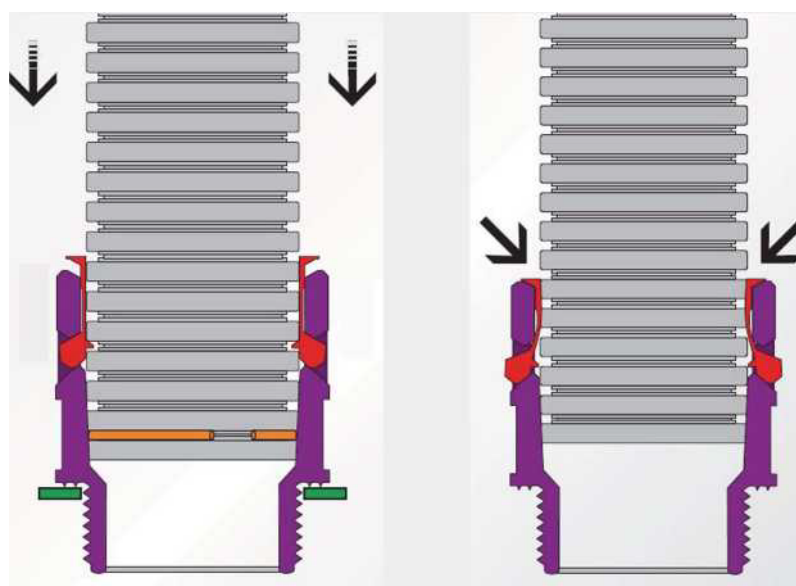
- M** Metric Thread
- PG** PG Thread
- G** G Thread
- NPT** NPT Thread
- E** EMC
- N** Inner Thread
- Z** Strain Relief
- R** Sealing
- O** Openable
- K** Plastic housing with metal thread
- M** Strain Relief
- D** Sealing
- 90** 90°
- 45** 45°
- A** Terminal Sleeve
- B** Bend, quick type
- W** Elbow type, quick type
- S** Straight type, quick type
- J** Tighten
- M** Heavy Clamp
- C** Clamp
- E** End Cap
- F** Flange Connection
- T** T-type Connector
- Y** Y-type Connector
- V** V-type Connector
- K** Coupling

## Combined index of plastic Tubing with screw connectors

Tubing outer AD	Metric thread M	PG thread PG
AD10.0	M10x1.0	PG7
AD10.0	M12x1.5	
AD13.0	M12x1.5	PG9
AD13.0	M16x1.5	
AD15.8	M16x1.5	PG11
AD15.8	M20x1.5	
AD18.5	M20x1.5	PG13.5
AD21.2	M20x1.5	PG16
AD21.2	M25x1.5	
AD28.5	M25x1.5	PG21
AD28.5	M32x1.5	
AD34.5	M32x1.5	PG29
AD34.5	M40x1.5	
AD42.5	M40x1.5	PG36
AD42.5	M50x1.5	
AD54.5	M50x1.5	PG48
AD54.5	M63x1.5	

**Lock**

**Unlock**



## Plastic Screw Connectors Properties



**-40°C ~ +115°C**

**IP66 / IP68**

### Characteristics:

- Rational Tubing assembly due to one-piece screw connector with push-in lock
- Simple dismounting by displacing the snap-in sleeve
- Smallest outer dimensions to be used under confined conditions
- Resistant against oil and acids and solvents
- Free of silicon, cadmium, halogen
- Black connectors are UV-resistant

### Structure:

Screw connector case with hexagonal wrench surface and fixed thread as well as integrated snap-in sleeve and seal

### Applications:

For protectively insulated electrical installations

### Material:

- Plastic: PA6
- Seal: TPE

### Color:

Black and Grey

### Thread Standard:

- **M:** Metric outer thread according to EN 60423.
- **PG:** PG outer thread according to DIN 40430.
- **G:** G outer thread according to DIN ISO 228-1.

### Certification:

ROHS, CE, IP66 / IP68

## Index of Plastic Screw Connectors

**S IP66**  
Plastic Connectors,  
Quick Type



**SN IP66**  
Plastic Connectors,  
Quick-type with inner thread



**SR IP68**  
Plastic Connectors,  
Quick Type



**SNR IP68**  
Plastic Connectors,  
Quick-type with inner thread



**SK IP68**  
Plastic Connectors,  
Quick-type, Brass thread



**SKN IP68**  
Plastic Connectors,  
Quick-type, Brass inner thread



**SZ IP66**  
Plastic Connectors,  
Quick-type with strain relief,  
conically sealing



**W IP66**  
Plastic Elbow Connectors,  
Quick Type



**SZR IP68**  
Plastic Connectors,  
Quick-type with strain relief,  
conically sealing



**WR IP68**  
Plastic Elbow Connectors,  
Quick Type



**SKZ IP68**  
Plastic Connectors,  
Quick-type with strain relief,  
conically sealing, brass thread



**B90 IP66**  
Plastic 90 Bend Connectors,  
Quick Type



**SKZE IP68**  
Plastic Connectors,  
Quick-type with strain relief,  
conically sealing, brass thread  
EMC



**B90R IP68**  
Plastic 90 Bend Connectors,  
Quick Type

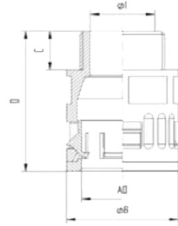


**J IP66**  
Plastic Tightening Connectors



**BK90R IP68**  
Plastic 90 Bend Connectors,  
Quick Type, Brass Thread





Plastic Connectors, Quick Type

IP66



RoHS

**S-M (Metric Thread)**

Part No.	Item		Applicable Tubing Outer Φ	Thread	Length of Thread C mm	Smallest Inner Φ mm	Largest Outer ΦB mm	Total Length D mm
	Black	Grey						
C040101	S-M10B-AD10.0	S-M10G-AD10.0	AD10.0	M10x1.5	12.0	6.0	17.0	35.0
C040102	S-M12B-AD10.0	S-M12G-AD10.0	AD10.0	M12x1.5	12.0	7.0	17.0	35.0
C040103	S-M12B-AD13.0	S-M12G-AD13.0	AD13.0	M16x1.5	12.0	7.0	20.0	37.0
C040104	S-M16B-AD13.0	S-M16G-AD13.0	AD13.0	M16x1.5	12.0	10.0	20.0	37.0
C040105	S-M16B-AD15.8	S-M16G-AD15.8	AD15.8	M16x1.5	12.0	11.5	23.0	39.5
C040106	S-M18B-AD15.8	S-M18G-AD15.8	AD15.8	M18x1.5	12.0	12.0	23.0	39.5
C040107	S-M20B-AD18.5	S-M20G-AD18.5	AD18.5	M20x1.5	13.0	14.5	26.0	42.0
C040108	S-M20B-AD21.2	S-M20G-AD21.2	AD21.2	M20x1.5	13.0	15.5	29.5	45.0
C040109	S-M22B-AD21.2	S-M22G-AD21.2	AD21.2	M22x1.5	13.0	17.0	29.5	45.0
C040110	S-M24B-AD21.2	S-M24G-AD21.2	AD21.2	M24x1.5	13.0	17.0	29.5	45.0
C040111	S-M25B-AD21.2	S-M25G-AD21.2	AD21.2	M25x1.5	13.0	17.0	29.5	45.0
C040112	S-M25B-AD25.5	S-M25G-AD25.5	AD25.5	M25x1.5	13.0	20.5	34.0	46.5
C040113	S-M25B-AD28.5	S-M25G-AD28.5	AD28.5	M25x1.5	13.0	20.5	37.0	47.0
C040114	S-M27B-AD28.5	S-M27G-AD28.5	AD28.5	M27x2.0	13.0	22.5	37.0	47.0
C040115	S-M30B-AD28.5	S-M30G-AD28.5	AD28.5	M30x1.5	13.0	23.5	37.0	47.0
C040116	S-M32B-AD28.5	S-M32G-AD28.5	AD28.5	M32x1.5	13.0	23.5	37.0	47.0
C040117	S-M32B-AD34.5	S-M32G-AD34.5	AD34.5	M32x1.5	15.0	26.0	44.0	51.0
C040118	S-M33B-AD34.5	S-M33G-AD34.5	AD34.5	M33x2.0	15.0	26.0	44.0	51.0
C040119	S-M36B-AD34.5	S-M36G-AD34.5	AD34.5	M36x2.0	15.0	30.0	44.0	51.0
C040120	S-M40B-AD34.5	S-M40G-AD34.5	AD34.5	M40x1.5	15.0	30.0	44.0	51.0
C040121	S-M40B-AD42.5	S-M40G-AD42.5	AD42.5	M40x1.5	15.0	33.0	52.0	54.0
C040122	S-M42B-AD42.5	S-M42G-AD42.5	AD42.5	M42x2.0	15.0	35.0	52.0	54.0
C040123	S-M48B-AD42.5	S-M48G-AD42.5	AD42.5	M48x2.0	15.0	36.5	52.0	54.0
C040124	S-M50B-AD42.5	S-M50G-AD42.5	AD42.5	M50x1.5	15.0	36.5	52.0	54.0
C040125	S-M50B-AD54.5	S-M50G-AD54.5	AD54.5	M50x1.5	16.0	43.0	64.0	55.0
C040126	S-M56B-AD54.5	S-M56G-AD54.5	AD54.5	M56x2.0	16.0	48.0	64.0	55.0
C040127	S-M60B-AD54.5	S-M60G-AD54.5	AD54.5	M60x2.0	16.0	48.0	64.0	55.0
C040128	S-M63B-AD54.5	S-M63G-AD54.5	AD54.5	M63x1.5	16.0	48.0	64.0	55.0

Plastic Connectors, Quick Type

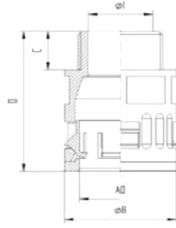
IP66

**S-PG (PG Thread)**

Part No.	Item		Applicable Tubing Outer $\Phi$	Thread	Length of Thread C mm	Smallest Inner $\Phi$ mm	Largest Outer $\Phi$ B mm	Total Length D mm
	Black	Grey						
C040201	S-PG7B-AD10.0	S-PG7G-AD10.0	AD10.0	PG7	12.0	7.0	17.0	35.0
C040202	S-PG9B-AD13.0	S-PG9G-AD13.0	AD13.0	PG9	12.0	10.0	20.0	37.0
C040203	S-PG11B-AD15.8	S-PG11G-AD15.8	AD15.8	PG11	12.0	12.0	23.0	39.0
C040204	S-PG13.5B-AD18.5	S-PG13.5G-AD18.5	AD18.5	PG13.5	13.0	14.5	26.0	42.0
C040205	S-PG16B-AD21.2	S-PG16G-AD21.2	AD21.2	PG16	13.0	17.0	29.5	45.0
C040206	S-PG21B-AD25.5	S-PG21G-AD25.5	AD25.5	PG21	13.0	21.0	34.0	46.5
C040207	S-PG21B-AD28.5	S-PG21G-AD28.5	AD28.5	PG21	13.0	23.5	37.0	47.0
C040208	S-PG29B-AD34.5	S-PG29G-AD34.5	AD34.5	PG29	15.0	30.0	44.0	51.0
C040209	S-PG36B-AD42.5	S-PG36G-AD42.5	AD42.5	PG36	15.0	36.5	52.0	54.0
C040210	S-PG48B-AD54.5	S-PG48G-AD54.5	AD54.5	PG48	16.0	48.0	64.0	55.0

**S-G (G Thread)**

Part No.	Item		Applicable Tubing Outer $\Phi$	Thread	Length of Thread C mm	Smallest Inner $\Phi$ mm	Largest Outer $\Phi$ B mm	Total Length D mm
	Black	Grey						
C040301	S-G1/4B-AD10.0	S-G1/4G-AD10.0	AD10.0	G1/4"	12.0	7.0	17.0	35.0
C040302	S-G3/8B-AD13.0	S-G3/8G-AD13.0	AD13.0	G3/8"	12.0	10.0	20.0	37.0
C040303	S-G3/8B-AD15.8	S-G3/8G-AD15.8	AD15.8	G3/8"	12.0	12.0	23.0	39.5
C040304	S-G1/2B-AD15.8	S-G1/2G-AD15.8	AD15.8	G1/2"	12.0	14.5	23.0	39.5
C040305	S-G1/2B-AD21.2	S-G1/2G-AD21.2	AD21.2	G1/2"	13.0	17.0	29.5	45.0
C040306	S-G3/4B-AD25.5	S-G3/4G-AD25.5	AD25.5	G3/4"	13.0	21.0	34.0	46.5
C040307	S-G3/4B-AD28.5	S-G3/4G-AD28.5	AD28.5	G3/4"	13.0	23.5	37.0	47.0
C040308	S-G1B-AD34.5	S-G1G-AD34.5	AD34.5	G1"	15.0	30.0	44.0	51.0
C040309	S-G1 1/4B-AD42.5	S-G1 1/4G-AD42.5	AD42.5	G1 1/4"	15.0	36.5	52.0	54.0
C040310	S-G1 1/2B-AD54.5	S-G1 1/2G-AD54.5	AD54.5	G1 1/2"	16.0	48.0	64.0	55.0



Plastic Connectors, Quick Type

IP68



RoHS

**SR-M (Metric Thread)**

Part No.	Item		Applicable Tubing Outer $\Phi$	Thread	Length of Thread C mm	Smallest Inner $\Phi$ mm	Largest Outer $\Phi$ mm	Total Length D mm
	Black	Grey						
C040401	SR-M10B-AD10.0	SR-M10G-AD10.0	AD10.0	M10x1.5	12.0	6.0	17.0	35.0
C040402	SR-M12B-AD10.0	SR-M12G-AD10.0	AD10.0	M12x1.5	12.0	7.0	17.0	35.0
C040403	SR-M12B-AD13.0	SR-M12G-AD13.0	AD13.0	M16x1.5	12.0	7.0	20.0	37.0
C040404	SR-M16B-AD13.0	SR-M16G-AD13.0	AD13.0	M16x1.5	12.0	10.0	20.0	37.0
C040405	SR-M16B-AD15.8	SR-M16G-AD15.8	AD15.8	M16x1.5	12.0	11.5	23.0	39.5
C040406	SR-M18B-AD15.8	SR-M18G-AD15.8	AD15.8	M18x1.5	12.0	12.0	23.0	39.5
C040407	SR-M20B-AD18.5	SR-M20G-AD18.5	AD18.5	M20x1.5	13.0	14.5	26.0	42.0
C040408	SR-M20B-AD21.2	SR-M20G-AD21.2	AD21.2	M20x1.5	13.0	15.5	29.5	45.0
C040409	SR-M22B-AD21.2	SR-M22G-AD21.2	AD21.2	M22x1.5	13.0	17.0	29.5	45.0
C040410	SR-M24B-AD21.2	SR-M24G-AD21.2	AD21.2	M24x1.5	13.0	17.0	29.5	45.0
C040411	SR-M25B-AD21.2	SR-M25G-AD21.2	AD21.2	M25x1.5	13.0	17.0	29.5	45.0
C040412	SR-M25B-AD25.5	SR-M25G-AD25.5	AD25.5	M25x1.5	13.0	20.5	34.0	46.5
C040413	SR-M25B-AD28.5	SR-M25G-AD28.5	AD28.5	M25x1.5	13.0	20.5	37.0	47.0
C040414	SR-M27B-AD28.5	SR-M27G-AD28.5	AD28.5	M27x2.0	13.0	22.5	37.0	47.0
C040415	SR-M30B-AD28.5	SR-M30G-AD28.5	AD28.5	M30x1.5	13.0	23.5	37.0	47.0
C040416	SR-M32B-AD28.5	SR-M32G-AD28.5	AD28.5	M32x1.5	13.0	23.5	37.0	47.0
C040417	SR-M32B-AD34.5	SR-M32G-AD34.5	AD34.5	M32x1.5	15.0	26.0	44.0	51.0
C040418	SR-M33B-AD34.5	SR-M33G-AD34.5	AD34.5	M33x2.0	15.0	26.0	44.0	51.0
C040419	SR-M36B-AD34.5	SR-M36G-AD34.5	AD34.5	M36x2.0	15.0	30.0	44.0	51.0
C040420	SR-M40B-AD34.5	SR-M40G-AD34.5	AD34.5	M40x1.5	15.0	30.0	44.0	51.0
C040421	SR-M40B-AD42.5	SR-M40G-AD42.5	AD42.5	M40x1.5	15.0	33.0	52.0	54.0
C040422	SR-M42B-AD42.5	SR-M42G-AD42.5	AD42.5	M42x2.0	15.0	35.0	52.0	54.0
C040423	SR-M48B-AD42.5	SR-M48G-AD42.5	AD42.5	M48x2.0	15.0	36.5	52.0	54.0
C040424	SR-M50B-AD42.5	SR-M50G-AD42.5	AD42.5	M50x1.5	15.0	36.5	52.0	54.0
C040425	SR-M50B-AD54.5	SR-M50G-AD54.5	AD54.5	M50x1.5	16.0	43.0	64.0	55.0
C040426	SR-M56B-AD54.5	SR-M56G-AD54.5	AD54.5	M56x2.0	16.0	48.0	64.0	55.0
C040427	SR-M60B-AD54.5	SR-M60G-AD54.5	AD54.5	M60x2.0	16.0	48.0	64.0	55.0
C040428	SR-M63B-AD54.5	SR-M63G-AD54.5	AD54.5	M63x1.5	16.0	48.0	64.0	55.0

Plastic Connectors, Quick Type

IP68

**SR-PG (PG Thread)**

Part No.	Item		Applicable Tubing Outer $\Phi$	Thread	Length of Thread C mm	Smallest Inner $\Phi$ mm	Largest Outer $\Phi$ B mm	Total Length D mm
	Black	Grey						
C040501	SR-PG7B-AD10.0	SR-PG7G-AD10.0	AD10.0	PG7	12.0	7.0	17.0	35.0
C040502	SR-PG9B-AD13.0	SR-PG9G-AD13.0	AD13.0	PG9	12.0	10.0	20.0	37.0
C040503	SR-PG11B-AD15.8	SR-PG11G-AD15.8	AD15.8	PG11	12.0	12.0	23.0	39.0
C040504	SR-PG13.5B-AD18.5	SR-PG13.5G-AD18.5	AD18.5	PG13.5	13.0	14.5	26.0	42.0
C040505	SR-PG16B-AD21.2	SR-PG16G-AD21.2	AD21.2	PG16	13.0	17.0	29.5	45.0
C040506	SR-PG21B-AD25.5	SR-PG21G-AD25.5	AD25.5	PG21	13.0	21.0	34.0	46.5
C040507	SR-PG21B-AD28.5	SR-PG21G-AD28.5	AD28.5	PG21	13.0	23.5	37.0	47.0
C040508	SR-PG29B-AD34.5	SR-PG29G-AD34.5	AD34.5	PG29	15.0	30.0	44.0	51.0
C040509	SR-PG36B-AD42.5	SR-PG36G-AD42.5	AD42.5	PG36	15.0	36.5	52.0	54.0
C040510	SR-PG48B-AD54.5	SR-PG48G-AD54.5	AD54.5	PG48	16.0	48.0	64.0	55.0

**SR-G (G Thread)**

Part No.	Item		Applicable Tubing Outer $\Phi$	Thread	Length of Thread C mm	Smallest Inner $\Phi$ mm	Largest Outer $\Phi$ B mm	Total Length D mm
	Black	Grey						
C040601	SR-G1/4B-AD10.0	SR-G1/4G-AD10.0	AD10.0	G1/4"	12.0	7.0	17.0	35.0
C040602	SR-G3/8B-AD13.0	SR-G3/8G-AD13.0	AD13.0	G3/8"	12.0	10.0	20.0	37.0
C040603	SR-G3/8B-AD15.8	SR-G3/8G-AD15.8	AD15.8	G3/8"	12.0	12.0	23.0	39.5
C040604	SR-G1/2B-AD15.8	SR-G1/2G-AD15.8	AD15.8	G1/2"	12.0	14.5	23.0	39.5
C040605	SR-G1/2B-AD21.2	SR-G1/2G-AD21.2	AD21.2	G1/2"	13.0	17.0	29.5	45.0
C040606	SR-G3/4B-AD25.5	SR-G3/4G-AD25.5	AD25.5	G3/4"	13.0	21.0	34.0	46.5
C040607	SR-G3/4B-AD28.5	SR-G3/4G-AD28.5	AD28.5	G3/4"	13.0	23.5	37.0	47.0
C040608	SR-G1B-AD34.5	SR-G1G-AD34.5	AD34.5	G1"	15.0	30.0	44.0	51.0
C040609	SR-G1 1/4B-AD42.5	SR-G1 1/4G-AD42.5	AD42.5	G1 1/4"	15.0	36.5	52.0	54.0
C040610	SR-G1 1/2B-AD54.5	SR-G1 1/2G-AD54.5	AD54.5	G1 1/2"	16.0	48.0	64.0	55.0



Plastic Connectors  
Quick Type, Brass Thread

IP68



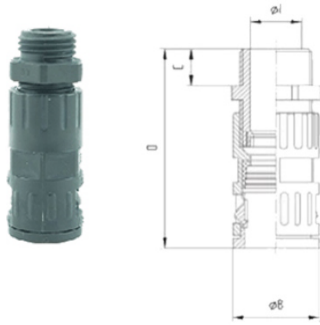
RoHS

**SK-M (Metric Thread)**

Part No.	Item		Applicable Tubing Outer $\Phi$	Thread	Length of Thread C mm	Smallest Inner $\Phi$ mm	Largest Outer $\Phi$ mm	Total Length D mm
	Black	Grey						
C040701	SK-M12B-AD10.0-10	SK-M12G-AD10.0-10	AD10.0	M12x1.5	10.0	7.0	17.0	37.5
C040702	SK-M12B-AD10.0-5	SK-M12G-AD10.0-5	AD10.0	M12x1.5	5.0	7.0	17.0	32.5
C040703	SK-M12B-AD13.0-10	SK-M12G-AD13.0-10	AD13.0	M12x1.5	10.0	7.0	20.0	40.0
C040704	SK-M12B-AD13.0-5	SK-M12G-AD13.0-5	AD13.0	M12x1.5	5.0	7.0	20.0	35.0
C040705	SK-M16B-AD13.0-12	SK-M16G-AD13.0-12	AD13.0	M16x1.5	12.0	10.0	20.0	42.0
C040706	SK-M16B-AD13.0-6	SK-M16G-AD13.0-6	AD13.0	M16x1.5	6.0	10.0	20.0	36.0
C040707	SK-M16B-AD15.8-12	SK-M16G-AD15.8-12	AD15.8	M16x1.5	12.0	10.0	23.0	43.5
C040708	SK-M16B-AD15.8-6	SK-M16G-AD15.8-6	AD15.8	M16x1.5	6.0	10.0	23.0	37.5
C040709	SK-M20B-AD18.5-12	SK-M20G-AD18.5-12	AD18.5	M20x1.5	12.0	14.5	26.0	46.5
C040710	SK-M20B-AD18.5-6	SK-M20G-AD18.5-6	AD18.5	M20x1.5	6.0	14.5	26.0	40.5
C040711	SK-M20B-AD21.2-12	SK-M20G-AD21.2-12	AD21.2	M20x1.5	12.0	15.0	29.5	49.0
C040712	SK-M20B-AD21.2-6	SK-M20G-AD21.2-6	AD21.2	M20x1.5	6.0	15.0	29.5	43.0
C040713	SK-M25B-AD28.5-13	SK-M25G-AD28.5-13	AD28.5	M25x1.5	13.0	18.0	37.0	52.0
C040714	SK-M25B-AD28.5-7	SK-M25G-AD28.5-7	AD28.5	M25x1.5	7.0	18.0	37.0	45.0
C040715	SK-M32B-AD28.5-14	SK-M32G-AD28.5-14	AD28.5	M32x1.5	14.0	23.5	37.0	54.0
C040716	SK-M32B-AD28.5-8	SK-M32G-AD28.5-8	AD28.5	M32x1.5	8.0	23.5	37.0	46.0
C040717	SK-M32B-AD34.5-14	SK-M32G-AD34.5-14	AD34.5	M32x1.5	14.0	24.0	44.0	58.0
C040718	SK-M32B-AD34.5-8	SK-M32G-AD34.5-8	AD34.5	M32x1.5	8.0	24.0	44.0	50.0
C040719	SK-M40B-AD34.5-17	SK-M40G-AD34.5-17	AD34.5	M40x1.5	17.0	28.0	44.0	60.0
C040720	SK-M40B-AD34.5-8	SK-M40G-AD34.5-8	AD34.5	M40x1.5	8.0	28.0	44.0	52.0
C040721	SK-M40B-AD42.5-17	SK-M40G-AD42.5-17	AD42.5	M40x1.5	17.0	32.0	52.0	61.0
C040722	SK-M40B-AD42.5-10	SK-M42G-AD42.5-10	AD42.5	M40x1.5	10.0	32.0	52.0	54.0
C040723	SK-M50B-AD42.5-17	SK-M50G-AD42.5-17	AD42.5	M50x1.5	17.0	36.5	52.0	61.0
C040724	SK-M50B-AD42.5-9	SK-M50G-AD42.5-9	AD42.5	M50x1.5	9.0	36.5	52.0	53.0
C040725	SK-M50B-AD54.5-17	SK-M50G-AD54.5-17	AD54.5	M50x1.5	17.0	43.0	64.0	69.0
C040726	SK-M50B-AD54.5-9	SK-M50G-AD54.5-9	AD54.5	M50x1.5	9.0	43.0	64.0	61.0
C040727	SK-M63B-AD54.5-17	SK-M63G-AD54.5-17	AD54.5	M60x2.0	17.0	48.0	64.0	69.0
C040728	SK-M63B-AD54.5-10	SK-M63G-AD54.5-10	AD54.5	M63x1.5	10.0	48.0	64.0	62.0

**SK-PG (PG Thread)**

Part No.	Item		Applicable Tubing Outer $\Phi$	Thread	Length of Thread C mm	Smallest Inner $\Phi$ mm	Largest Outer $\Phi$ mm	Total Length D mm
	Black	Grey						
C040801	SK-PG7B-AD10.0	SK-PG7G-AD10.0	AD10.0	PG7	10.0	7.0	17.0	37.5
C040802	SK-PG9B-AD13.0	SK-PG9G-AD13.0	AD13.0	PG9	12.0	10.0	20.0	42.0
C040803	SK-PG11B-AD15.8	SK-PG11G-AD15.8	AD15.8	PG11	12.0	11.0	23.0	43.5
C040804	SK-PG13.5B-AD18.5	SK-PG13.5G-AD18.5	AD18.5	PG13.5	12.0	14.5	26.0	46.5
C040805	SK-PG16B-AD21.2	SK-PG16G-AD21.2	AD21.2	PG16	13.0	16.0	29.5	50.0
C040806	SK-PG21B-AD28.5	SK-PG21G-AD28.5	AD28.5	PG21	14.0	20.0	37.0	53.0
C040807	SK-PG29B-AD34.5	SK-PG29G-AD34.5	AD34.5	PG29	14.0	27.5	44.0	57.0
C040808	SK-PG36B-AD42.5	SK-PG36G-AD42.5	AD42.5	PG36	17.0	36.5	52.0	61.0
C040809	SK-PG48B-AD54.5	SK-PG48G-AD54.5	AD54.5	PG48	17.0	48.0	64.0	69.0



Plastic Connectors,  
Quick-type with Strain Relief,  
Conically Sealing

IP66



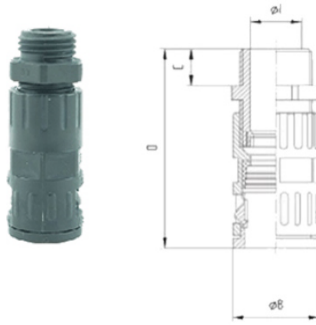
RoHS

**SZ-M (Metric Thread)**

Part No.	Item		Applicable Tubing Outer $\Phi$	Thread	Clamping Range mm	Length of Thread C mm	Smallest Inner $\Phi$ mm	Largest Outer $\Phi$ B mm	Total Length D mm
	Black	Grey							
C040901	SZ-M12B-AD10.0	SZ-M12G-AD10.0	AD10.0	M12x1.5	3-6	8.0	7.0	17.0	53.0
C040902	SZ-M16B-AD13.0	SZ-M16G-AD13.0	AD13.0	M16x1.5	4-8	8.0	8.0	20.0	56.0
C040903	SZ-M16B-AD15.8	SZ-M16G-AD15.8	AD15.8	M16x1.5	5-10	8.0	10.0	23.0	59.0
C040904	SZ-M18B-AD15.8	SZ-M18G-AD15.8	AD15.8	M18x1.5	5-10	8.0	10.0	23.0	59.0
C040905	SZ-M20B-AD18.5	SZ-M20G-AD18.5	AD18.5	M20x1.5	6-12	9.0	12.0	26.0	63.0
C040906	SZ-M20B-AD21.2	SZ-M20G-AD21.2	AD21.2	M20x1.5	8-14	10.0	14.0	29.0	69.0
C040907	SZ-M22B-AD21.2	SZ-M22G-AD21.2	AD21.2	M22x1.5	8-14	10.0	14.0	29.0	69.0
C040908	SZ-M25B-AD28.5	SZ-M25G-AD28.5	AD28.5	M25x1.5	13-18	11.0	18.0	34.0	74.0
C040909	SZ-M32B-AD34.5	SZ-M32G-AD34.5	AD34.5	M32x1.5	18-25	12.0	25.0	44.0	85.0
C040910	SZ-M40B-AD42.5	SZ-M40G-AD42.5	AD42.5	M40x1.5	22-32	13.0	32.0	52.0	98.0
C040911	SZ-M50B-AD54.5	SZ-M50G-AD54.5	AD54.5	M50x1.5	30-38	15.0	38.0	64.0	103.0
C040912	SZ-M63B-AD54.5	SZ-M63G-AD54.5	AD54.5	M63x1.5	37-44	15.0	44.0	64.0	103.0

**SZ-PG (PG Thread)**

Part No.	Item		Applicable Tubing Outer $\Phi$	Thread	Clamping Range mm	Length of Thread C mm	Smallest Inner $\Phi$ mm	Largest Outer $\Phi$ B mm	Total Length D mm
	Black	Grey							
C041001	SZ-PG7B-AD10.0	SZ-PG7G-AD10.0	AD10.0	PG7	3-6	8.0	7.0	17.0	53.0
C041002	SZ-PG9B-AD13.0	SZ-PG9G-AD13.0	AD13.0	PG9	4-8	8.0	8.0	20.0	56.0
C041003	SZ-PG11B-AD15.8	SZ-PG11G-AD15.8	AD15.8	PG11	5-10	8.0	10.0	23.0	59.0
C041004	SZ-PG13.5B-AD18.5	SZ-PG13.5G-AD18.5	AD18.5	PG13.5	6-12	9.0	12.0	26.0	63.0
C041005	SZ-PG16B-AD21.2	SZ-PG16G-AD21.2	AD21.2	PG16	8-14	10.0	14.0	29.5	69.0
C041006	SZ-PG21B-AD28.5	SZ-PG21G-AD28.5	AD28.5	PG21	13-18	11.0	18.0	37.0	74.0
C041007	SZ-PG29B-AD34.5	SZ-PG29G-AD34.5	AD34.5	PG29	18-25	11.0	25.0	44.0	85.0
C041008	SZ-PG36B-AD42.5	SZ-PG36G-AD42.5	AD42.5	PG36	22-32	13.0	32.0	52.0	98.0
C041009	SZ-PG48B-AD54.5	SZ-PG48G-AD54.5	AD54.5	PG48	37-44	15.0	44.0	64.0	101.0



Plastic Connectors,  
Quick-type with Strain Relief,  
Conically Sealing

IP68



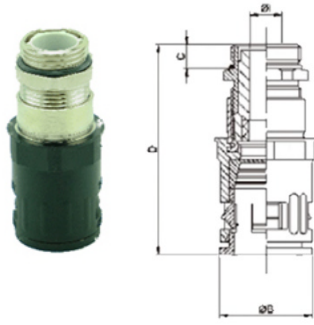
RoHS

**SZR-M (Metric Thread)**

Part No.	Item		Applicable Tubing Outer Φ	Thread	Clamping Range mm	Length of Thread C mm	Smallest Inner Φ mm	Largest Outer ΦB mm	Total Length D mm
	Black	Grey							
C041101	SZR-M12B-AD10.0	SZR-M12G-AD10.0	AD10.0	M12x1.5	3-6	8.0	7.0	17.0	53.0
C041102	SZR-M16B-AD13.0	SZR-M16G-AD13.0	AD13.0	M16x1.5	4-8	8.0	8.0	20.0	56.0
C041103	SZR-M16B-AD15.8	SZR-M16G-AD15.8	AD15.8	M16x1.5	5-10	8.0	10.0	23.0	59.0
C041104	SZR-M18B-AD15.8	SZR-M18G-AD15.8	AD15.8	M18x1.5	5-10	8.0	10.0	23.0	59.0
C041105	SZR-M20B-AD18.5	SZR-M20G-AD18.5	AD18.5	M20x1.5	6-12	9.0	12.0	26.0	63.0
C041106	SZR-M20B-AD21.2	SZR-M20G-AD21.2	AD21.2	M20x1.5	8-14	10.0	14.0	29.0	69.0
C041107	SZR-M22B-AD21.2	SZR-M22G-AD21.2	AD21.2	M22x1.5	8-14	10.0	14.0	29.0	69.0
C041108	SZR-M25B-AD28.5	SZR-M25G-AD28.5	AD28.5	M25x1.5	13-18	11.0	18.0	34.0	74.0
C041109	SZR-M32B-AD34.5	SZR-M32G-AD34.5	AD34.5	M32x1.5	18-25	12.0	25.0	44.0	85.0
C041110	SZR-M40B-AD42.5	SZR-M40G-AD42.5	AD42.5	M40x1.5	22-32	13.0	32.0	52.0	98.0
C041111	SZR-M50B-AD54.5	SZR-M50G-AD54.5	AD54.5	M50x1.5	30-38	15.0	38.0	64.0	103.0
C041112	SZR-M63B-AD54.5	SZR-M63G-AD54.5	AD54.5	M63x1.5	37-44	15.0	44.0	64.0	103.0

**SZR-PG (PG Thread)**

Part No.	Item		Applicable Tubing Outer Φ	Thread	Clamping Range mm	Length of Thread C mm	Smallest Inner Φ mm	Largest Outer ΦB mm	Total Length D mm
	Black	Grey							
C041201	SZR-PG7B-AD10.0	SZR-PG7G-AD10.0	AD10.0	PG7	3-6	8.0	7.0	17.0	53.0
C041202	SZR-PG9B-AD13.0	SZR-PG9G-AD13.0	AD13.0	PG9	4-8	8.0	8.0	20.0	56.0
C041203	SZR-PG11B-AD15.8	SZR-PG11G-AD15.8	AD15.8	PG11	5-10	8.0	10.0	23.0	59.0
C041204	SZR-PG13.5B-AD18.5	SZR-PG13.5G-AD18.5	AD18.5	PG13.5	6-12	9.0	12.0	26.0	63.0
C041205	SZR-PG16B-AD21.2	SZR-PG16G-AD21.2	AD21.2	PG16	8-14	10.0	14.0	29.5	69.0
C041206	SZR-PG21B-AD28.5	SZR-PG21G-AD28.5	AD28.5	PG21	13-18	11.0	18.0	37.0	74.0
C041207	SZR-PG29B-AD34.5	SZR-PG29G-AD34.5	AD34.5	PG29	18-25	11.0	25.0	44.0	85.0
C041208	SZR-PG36B-AD42.5	SZR-PG36G-AD42.5	AD42.5	PG36	22-32	13.0	32.0	52.0	98.0
C041209	SZR-PG48B-AD54.5	SZR-PG48G-AD54.5	AD54.5	PG48	37-44	15.0	44.0	64.0	101.0



Plastic Connectors,  
Quick-type with Strain Relief,  
Conically sealing, Brass Thread

IP68



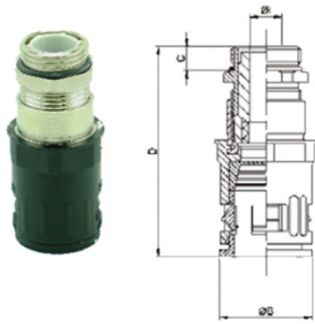
RoHS

### SKZ-M (Metric Thread)

Part No.	Item		Applicable Tubing Outer $\Phi$	Thread	Clamping Range mm	Length of Smallest Thread C mm	Inner $\Phi$ mm	Largest Outer $\Phi$ B mm	Total Length D mm
	Black	Grey							
C041301	SKZ-M12B-AD10.0	SKZ-M12G-AD10.0	AD10.0	M12x1.5	3-6	6.0	6.5	17.0	50.0
C041302	SKZ-M16B-AD13.0	SKZ-M16G-AD13.0	AD13.0	M16x1.5	4-8	7.0	8.5	20.0	56.5
C041303	SKZ-M18B-AD15.8	SKZ-M18G-AD15.8	AD15.8	M18x1.5	5-10	7.0	10.2	23.0	58.5
C041304	SKZ-M20B-AD15.8	SKZ-M20G-AD15.8	AD15.8	M20x1.5	5-10	7.0	10.2	23.0	58.5
C041305	SKZ-M20B-AD18.5	SKZ-M20G-AD18.5	AD18.5	M20x1.5	6-12	7.0	12.2	26.0	62.0
C041306	SKZ-M20B-AD21.2	SKZ-M20G-AD21.2	AD21.2	M20x1.5	8-14	7.0	14.2	29.5	64.0
C041307	SKZ-M22B-AD21.2	SKZ-M22G-AD21.2	AD21.2	M22x1.5	8-14	7.0	14.2	29.5	64.0
C041308	SKZ-M25B-AD21.2	SKZ-M25G-AD21.2	AD21.2	M25x1.5	10-16	7.0	16.2	29.5	64.0
C041309	SKZ-M25B-AD28.5	SKZ-M25G-AD28.5	AD28.5	M25x1.5	13-18	7.0	18.4	37.0	68.0
C041310	SKZ-M27B-AD28.5	SKZ-M27G-AD28.5	AD28.5	M27x1.5	13-18	8.0	18.4	37.0	68.0
C041311	SKZ-M30B-AD28.5	SKZ-M30G-AD28.5	AD28.5	M30x1.5	13-18	8.0	18.4	37.0	68.0
C041312	SKZ-M32B-AD34.5	SKZ-M32G-AD34.5	AD34.5	M32x1.5	18-25	8.0	25.2	44.0	79.5
C041313	SKZ-M36B-AD34.5	SKZ-M36G-AD34.5	AD34.5	M36x1.5	18-25	8.0	25.2	44.0	79.5
C041314	SKZ-M40B-AD42.5	SKZ-M40G-AD42.5	AD42.5	M40x1.5	22-32	9.0	32.5	52.0	85.5
C041315	SKZ-M48B-AD42.5	SKZ-M48G-AD42.5	AD42.5	M48x1.5	22-32	9.0	32.5	52.0	85.5
C041316	SKZ-M50B-AD54.5	SKZ-M50G-AD54.5	AD54.5	M50x1.5	37-44	9.0	44.5	58.0	95.0
C041317	SKZ-M63B-AD54.5	SKZ-M63G-AD54.5	AD54.5	M63x1.5	37-44	10.0	44.5	58.0	96.0

### SKZ-PG (PG Thread)

Part No.	Item		Applicable Tubing Outer $\Phi$	Thread	Clamping Range mm	Length of Smallest Thread C mm	Inner $\Phi$ mm	Largest Outer $\Phi$ B mm	Total Length D mm
	Black	Grey							
C041401	SKZ-PG7B-AD10.0	SKZ-PG7G-AD10.0	AD10.0	PG7	3-6	6.0	6.5	17.0	50.0
C041402	SKZ-PG9B-AD13.0	SKZ-PG9G-AD13.0	AD13.0	PG9	4-8	7.0	8.5	20.0	56.5
C041403	SKZ-PG11B-AD15.8	SKZ-PG11G-AD15.8	AD15.8	PG11	5-10	7.0	10.2	23.0	58.5
C041404	SKZ-PG13.5B-AD18.5	SKZ-PG13.5G-AD18.5	AD18.5	PG13.5	6-12	7.0	12.2	26.0	62.0
C041405	SKZ-PG16B-AD21.2	SKZ-PG16G-AD21.2	AD21.2	PG16	8-14	7.0	14.2	29.5	64.0
C041406	SKZ-PG21B-AD28.5	SKZ-PG21G-AD28.5	AD28.5	PG21	13-18	8.0	18.4	37.0	68.0
C041407	SKZ-PG29B-AD34.5	SKZ-PG29G-AD34.5	AD34.5	PG29	18-25	8.0	25.2	44.0	79.5
C041408	SKZ-PG36B-AD42.5	SKZ-PG36G-AD42.5	AD42.5	PG36	22-32	9.0	32.5	52.0	85.5
C041409	SKZ-PG48B-AD54.5	SKZ-PG48G-AD54.5	AD54.5	PG48	37-44	10.0	44.5	58.0	96.0



Plastic Connectors,  
Quick-type with Strain Relief,  
Conically sealing, Brass Thread, EMC

IP68



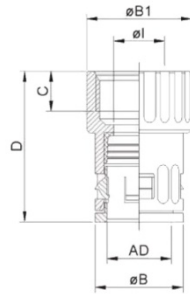
RoHS

**SKZE-M (Metric Thread)**

Part No.	Item		Applicable Tubing	Thread	Clamping Range	Length of Thread C	Smallest Inner $\Phi$	Largest Outer $\Phi$ B	Total Length D
	Black	Grey							
C041501	SKZE-M12B-AD10.0	SKZE-M12G-AD10.0	AD10.0	M12x1.5	3-6	6.0	6.5	17.0	50.0
C041502	SKZE-M16B-AD13.0	SKZE-M16G-AD13.0	AD13.0	M16x1.5	4-8	7.0	8.5	20.0	56.5
C041503	SKZE-M18B-AD15.8	SKZE-M18G-AD15.8	AD15.8	M18x1.5	5-10	7.0	10.2	23.0	58.5
C041504	SKZE-M20B-AD15.8	SKZE-M20G-AD15.8	AD15.8	M20x1.5	5-10	7.0	10.2	23.0	58.5
C041505	SKZE-M20B-AD18.5	SKZE-M20G-AD18.5	AD18.5	M20x1.5	6-12	7.0	12.2	26.0	62.0
C041506	SKZE-M20B-AD21.2	SKZE-M20G-AD21.2	AD21.2	M20x1.5	8-14	7.0	14.2	29.5	64.0
C041507	SKZE-M22B-AD21.2	SKZE-M22G-AD21.2	AD21.2	M22x1.5	8-14	7.0	14.2	29.5	64.0
C041508	SKZE-M25B-AD21.2	SKZE-M25G-AD21.2	AD21.2	M25x1.5	10-16	7.0	16.2	29.5	64.0
C041509	SKZE-M25B-AD28.5	SKZE-M25G-AD28.5	AD28.5	M25x1.5	13-18	7.0	18.4	37.0	68.0
C041510	SKZE-M27B-AD28.5	SKZE-M27G-AD28.5	AD28.5	M27x1.5	13-18	8.0	18.4	37.0	68.0
C041511	SKZE-M30B-AD28.5	SKZE-M30G-AD28.5	AD28.5	M30x1.5	13-18	8.0	18.4	37.0	68.0
C041512	SKZE-M32B-AD34.5	SKZE-M32G-AD34.5	AD34.5	M32x1.5	18-25	8.0	25.2	44.0	79.5
C041513	SKZE-M36B-AD34.5	SKZE-M36G-AD34.5	AD34.5	M36x1.5	18-25	8.0	25.2	44.0	79.5
C041514	SKZE-M40B-AD42.5	SKZE-M40G-AD42.5	AD42.5	M40x1.5	22-32	9.0	32.5	52.0	85.5
C041515	SKZE-M48B-AD42.5	SKZE-M48G-AD42.5	AD42.5	M48x1.5	22-32	9.0	32.5	52.0	85.5
C041516	SKZE-M50B-AD54.5	SKZE-M50G-AD54.5	AD54.5	M50x1.5	37-44	9.0	44.5	58.0	95.0
C041517	SKZE-M63B-AD54.5	SKZE-M63G-AD54.5	AD54.5	M63x1.5	37-44	10.0	44.5	58.0	96.0

**SKZE-PG (PG Thread)**

Part No.	Item		Applicable Tubing	Thread	Clamping Range	Length of Thread C	Smallest Inner $\Phi$	Largest Outer $\Phi$ B	Total Length D
	Black	Grey							
C041601	SKZE-PG7B-AD10.0	SKZE-PG7G-AD10.0	AD10.0	PG7	3-6	6.0	6.5	17.0	50.0
C041602	SKZE-PG9B-AD13.0	SKZE-PG9G-AD13.0	AD13.0	PG9	4-8	7.0	8.5	20.0	56.5
C041603	SKZE-PG11B-AD15.8	SKZE-PG11G-AD15.8	AD15.8	PG11	5-10	7.0	10.2	23.0	58.5
C041604	SKZE-PG13.5B-AD18.5	SKZE-PG13.5G-AD18.5	AD18.5	PG13.5	6-12	7.0	12.2	26.0	62.0
C041605	SKZE-PG16B-AD21.2	SKZE-PG16G-AD21.2	AD21.2	PG16	8-14	7.0	14.2	29.5	64.0
C041606	SKZE-PG21B-AD28.5	SKZE-PG21G-AD28.5	AD28.5	PG21	13-18	8.0	18.4	37.0	68.0
C041607	SKZE-PG29B-AD34.5	SKZE-PG29G-AD34.5	AD34.5	PG29	18-25	8.0	25.2	44.0	79.5
C041608	SKZE-PG36B-AD42.5	SKZE-PG36G-AD42.5	AD42.5	PG36	22-32	9.0	32.5	52.0	85.5
C041609	SKZE-PG48B-AD54.5	SKZE-PG48G-AD54.5	AD54.5	PG48	37-44	10.0	44.5	58.0	96.0



Plastic Connectors,  
Quick-type with Inner Thread

IP66



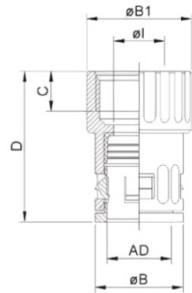
RoHS

**SN-M (Metric Thread)**

Part No.	Item		Applicable Tubing Outer $\Phi$	Thread	Length of Thread C mm	Smallest Inner $\Phi l$ mm	Largest Outer $\Phi B$ mm	Total Length D mm
	Black	Grey						
C041701	SN-M10B-AD10.0	SN-M10B-AD10.0	AD10.0	M10x1.5	12.5	7.0	17.0	36.0
C041702	SN-M12B-AD10.0	SN-M12B-AD10.0	AD10.0	M12x1.5	12.5	7.0	17.0	36.0
C041703	SN-M12B-AD13.0	SN-M12B-AD13.0	AD13.0	M12x1.5	13.0	10.0	20.0	38.0
C041704	SN-M16B-AD13.0	SN-M16G-AD13.0	AD13.0	M16x1.5	13.5	10.0	20.0	38.0
C041705	SN-M16B-AD15.8	SN-M16G-AD15.8	AD15.8	M16x1.5	13.5	12.0	23.0	41.0
C041706	SN-M20B-AD15.8	SN-M20G-AD15.8	AD15.8	M20x1.5	13.5	12.0	23.0	41.0
C041707	SN-M20B-AD18.5	SN-M20G-AD18.5	AD18.5	M20x1.5	13.5	14.5	26.0	43.0
C041708	SN-M20B-AD21.2	SN-M20G-AD21.2	AD21.2	M20x1.5	14.5	17.0	29.5	47.0
C041709	SN-M22B-AD21.2	SN-M22G-AD21.2	AD21.2	M22x1.5	14.5	17.0	29.5	47.0
C041710	SN-M25B-AD21.2	SN-M25G-AD21.2	AD21.2	M25x1.5	14.5	17.0	29.5	47.0
C041711	SN-M25B-AD28.5	SN-M25G-AD28.5	AD28.5	M25x1.5	16.0	23.5	37.0	50.0
C041712	SN-M32B-AD28.5	SN-M32G-AD28.5	AD28.5	M32x1.5	16.0	23.5	37.0	50.0
C041713	SN-M32B-AD34.5	SN-M32G-AD34.5	AD34.5	M32x1.5	17.0	30.0	44.0	56.0
C041714	SN-M40B-AD34.5	SN-M40G-AD34.5	AD34.5	M40x1.5	17.0	30.0	44.0	56.0
C041715	SN-M40B-AD42.5	SN-M40G-AD42.5	AD42.5	M40x1.5	26.0	36.5	52.0	65.0
C041716	SN-M50B-AD42.5	SN-M50G-AD42.5	AD42.5	M50x1.5	26.0	36.5	52.0	65.0
C041717	SN-M50B-AD54.5	SN-M50G-AD54.5	AD54.5	M50x1.5	28.5	48.0	64.0	68.5
C041718	SN-M63B-AD54.5	SN-M63G-AD54.5	AD54.5	M63x1.5	28.5	48.0	64.0	68.5

**SN-G (G Thread)**

Part No.	Item		Applicable Tubing Outer $\Phi$	Thread	Length of Thread C mm	Smallest Inner $\Phi l$ mm	Largest Outer $\Phi B$ mm	Total Length D mm
	Black	Grey						
C041801	SN-G1/4B-AD10.0	SN-G1/4G-AD10.0	AD10.0	G1/4"	12.5	7.0	17.0	36.0
C041802	SN-G3/8B-AD13.0	SN-G3/8G-AD13.0	AD13.0	G3/8"	13.5	10.0	20.0	38.0
C041803	SN-G3/8B-AD15.8	SN-G3/8G-AD15.8	AD15.8	G3/8"	13.5	12.0	23.0	41.0
C041804	SN-G1/2B-AD15.8	SN-G1/2G-AD15.8	AD15.8	G1/2"	13.5	12.0	23.0	41.0
C041805	SN-G1/2B-AD18.5	SN-G1/2G-AD18.5	AD18.5	G1/2"	13.5	14.5	26.0	43.0
C041806	SN-G1/2B-AD21.2	SN-G1/2G-AD21.2	AD21.2	G3/4"	14.5	17.0	29.5	47.0
C041807	SN-G3/4B-AD21.2	SN-G3/4G-AD21.2	AD21.2	G3/4"	14.5	17.0	29.5	47.0
C041808	SN-G3/4B-AD28.5	SN-G3/4G-AD28.5	AD28.5	G3/4"	16.0	23.5	37.0	50.0
C041809	SN-G1B-AD28.5	SN-G1G-AD28.5	AD28.5	G1"	16.0	23.5	37.0	50.0
C041810	SN-G1B-AD34.5	SN-G1G-AD34.5	AD34.5	G1"	17.5	30.0	44.0	56.0
C041811	SN-G1 1/4B-AD34.5	SN-G1 1/4G-AD34.5	AD34.5	G1 1/4"	17.5	30.0	44.0	56.0
C041812	SN-G1 1/4B-AD42.5	SN-G1 1/4G-AD42.5	AD42.5	G1 1/4"	26.0	36.5	52.0	65.0
C041813	SN-G1 1/2B-AD42.5	SN-G1 1/2G-AD42.5	AD42.5	G1 1/2"	26.0	36.5	52.0	65.0
C041814	SN-G1 1/2B-AD54.5	SN-G1 1/2G-AD54.5	AD54.5	G1 1/2"	28.5	48.0	64.0	68.5
C041815	SN-G2B-AD54.5	SN-G2G-AD54.5	AD54.5	G2"	28.5	48.0	64.0	68.5



Plastic Connectors,  
Quick-type with Inner Thread

IP68



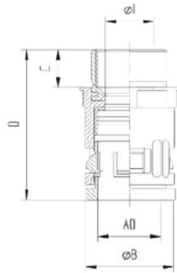
RoHS

**SNR-M (Metric Thread)**

Part No.	Item		Applicable Tubing Outer $\Phi$	Thread	Length of Thread C mm	Smallest Inner $\Phi l$ mm	Largest Outer $\Phi B$ mm	Total Length D mm
	Black	Grey						
C041901	SNR-M10B-AD10.0	SNR-M10G-AD10.0	AD10.0	M10x1.5	12.5	7.0	17.0	36.0
C041902	SNR-M12B-AD10.0	SNR-M12G-AD10.0	AD10.0	M12x1.5	12.5	7.0	17.0	36.0
C041903	SNR-M12B-AD13.0	SNR-M12G-AD13.0	AD13.0	M12x1.5	13.0	10.0	20.0	38.0
C041904	SNR-M16B-AD13.0	SNR-M16G-AD13.0	AD13.0	M16x1.5	13.5	10.0	20.0	38.0
C041905	SNR-M16B-AD15.8	SNR-M16G-AD15.8	AD15.8	M16x1.5	13.5	12.0	23.0	41.0
C041906	SNR-M20B-AD15.8	SNR-M20G-AD15.8	AD15.8	M20x1.5	13.5	12.0	23.0	41.0
C041907	SNR-M20B-AD18.5	SNR-M20G-AD18.5	AD18.5	M20x1.5	13.5	14.5	26.0	43.0
C041908	SNR-M20B-AD21.2	SNR-M20G-AD21.2	AD21.2	M20x1.5	14.5	17.0	29.5	47.0
C041909	SNR-M22B-AD21.2	SNR-M22G-AD21.2	AD21.2	M22x1.5	14.5	17.0	29.5	47.0
C041910	SNR-M25B-AD21.2	SNR-M25G-AD21.2	AD21.2	M25x1.5	14.5	17.0	29.5	47.0
C041911	SNR-M25B-AD28.5	SNR-M25G-AD28.5	AD28.5	M25x1.5	16.0	23.5	37.0	50.0
C041912	SNR-M32B-AD28.5	SNR-M32G-AD28.5	AD28.5	M32x1.5	16.0	23.5	37.0	50.0
C041913	SNR-M32B-AD34.5	SNR-M32G-AD34.5	AD34.5	M32x1.5	17.0	30.0	44.0	56.0
C041914	SNR-M40B-AD34.5	SNR-M40G-AD34.5	AD34.5	M40x1.5	17.0	30.0	44.0	56.0
C041915	SNR-M40B-AD42.5	SNR-M40G-AD42.5	AD42.5	M40x1.5	26.0	36.5	52.0	65.0
C041916	SNR-M50B-AD42.5	SNR-M50G-AD42.5	AD42.5	M50x1.5	26.0	36.5	52.0	65.0
C041917	SNR-M50B-AD54.5	SNR-M50G-AD54.5	AD54.5	M50x1.5	28.5	48.0	64.0	68.5
C041918	SNR-M63B-AD54.5	SNR-M63G-AD54.5	AD54.5	M63x1.5	28.5	48.0	64.0	68.5

**SNR-G (G Thread)**

Part No.	Item		Applicable Tubing Outer $\Phi$	Thread	Length of Thread C mm	Smallest Inner $\Phi l$ mm	Largest Outer $\Phi B$ mm	Total Length D mm
	Black	Grey						
C042001	SNR-G1/4B-AD10.0	SNR-G1/4G-AD10.0	AD10.0	G1/4"	12.5	7.0	17.0	36.0
C042002	SNR-G3/8B-AD13.0	SNR-G3/8G-AD13.0	AD13.0	G3/8"	13.5	10.0	20.0	38.0
C042003	SNR-G3/8B-AD15.8	SNR-G3/8G-AD15.8	AD15.8	G3/8"	13.5	12.0	23.0	41.0
C042004	SNR-G1/2B-AD15.8	SNR-G1/2G-AD15.8	AD15.8	G1/2"	13.5	12.0	23.0	41.0
C042005	SNR-G1/2B-AD18.5	SNR-G1/2G-AD18.5	AD18.5	G1/2"	13.5	14.5	26.0	43.0
C042006	SNR-G1/2B-AD21.2	SNR-G1/2G-AD21.2	AD21.2	G3/4"	14.5	17.0	29.5	47.0
C042007	SNR-G3/4B-AD21.2	SNR-G3/4G-AD21.2	AD21.2	G3/4"	14.5	17.0	29.5	47.0
C042008	SNR-G3/4B-AD28.5	SNR-G3/4G-AD28.5	AD28.5	G3/4"	16.0	23.5	37.0	50.0
C042009	SNR-G1B-AD28.5	SNR-G1G-AD28.5	AD28.5	G1"	16.0	23.5	37.0	50.0
C042010	SNR-G1B-AD34.5	SNR-G1G-AD34.5	AD34.5	G1"	17.5	30.0	44.0	56.0
C042011	SNR-G1 1/4B-AD34.5	SNR-G1 1/4G-AD34.5	AD34.5	G1 1/4"	17.5	30.0	44.0	56.0
C042012	SNR-G1 1/4B-AD42.5	SNR-G1 1/4G-AD42.5	AD42.5	G1 1/4"	26.0	36.5	52.0	65.0
C042013	SNR-G1 1/2B-AD42.5	SNR-G1 1/2G-AD42.5	AD42.5	G1 1/2"	26.0	36.5	52.0	65.0
C042014	SNR-G1 1/2B-AD54.5	SNR-G1 1/2G-AD54.5	AD54.5	G1 1/2"	28.5	48.0	64.0	68.5
C042015	SNR-G2B-AD54.5	SNR-G2G-AD54.5	AD54.5	G2"	28.5	48.0	64.0	68.5



Plastic Connectors,  
Quick-type, Brass Inner Thread

IP68



RoHS

**SKN-M (Metric Thread)**

Part No.	Item		Applicable Tubing Outer $\Phi$	Thread	Length of Thread C mm	Smallest Inner $\Phi$ mm	Largest Outer $\Phi$ B mm	Total Length D mm
	Black	Grey						
C042101	SKN-M12B-AD10.0	SKN-M12B-AD10.0	AD10.0	M12x1.5	10.0	7.0	17.0	38.5
C042102	SKN-M16B-AD13.0	SKN-M16G-AD13.0	AD13.0	M16x1.5	12.0	8.5	20.0	42.0
C042103	SKN-M20B-AD15.8	SKN-M20G-AD15.8	AD15.8	M20x1.5	12.0	12.0	23.0	43.5
C042104	SKN-M20B-AD21.2	SKN-M20G-AD21.2	AD21.2	M20x1.5	12.0	15.0	29.5	49.0
C042105	SKN-M25B-AD21.2	SKN-M25G-AD21.2	AD21.2	M25x1.5	13.0	16.0	29.5	50.0
C042106	SKN-M25B-AD28.5	SKN-M25G-AD28.5	AD28.5	M25x1.5	13.0	18.0	37.0	52.0
C042107	SKN-M32B-AD34.5	SKN-M32G-AD34.5	AD34.5	M32x1.5	14.0	24.0	44.0	57.0
C042108	SKN-M40B-AD42.5	SKN-M40G-AD42.5	AD42.5	M40x1.5	17.0	32.0	52.0	61.0
C042109	SKN-M50B-AD54.5	SKN-M50G-AD54.5	AD54.5	M50x1.5	17.0	39.0	64.0	69.0
C042110	SKN-M63B-AD54.5	SKN-M63G-AD54.5	AD54.5	M63x1.5	17.0	48.0	64.0	69.0

**SKN-PG (PG Thread)**

Part No.	Item		Applicable Tubing Outer $\Phi$	Thread	Length of Thread C mm	Smallest Inner $\Phi$ mm	Largest Outer $\Phi$ B mm	Total Length D mm
	Black	Grey						
C042201	SKN-PG7B-AD10.0	SKN-PG7G-AD10.0	AD10.0	PG7	10.0	7.0	17.0	37.5
C042202	SKN-PG9B-AD13.0	SKN-PG9G-AD13.0	AD13.0	PG9	12.0	8.5	20.0	42.5
C042203	SKN-PG11B-AD15.8	SKN-PG11G-AD15.8	AD15.8	PG11	12.0	10.5	23.0	43.5
C042204	SKN-PG13.5B-AD18.5	SKN-PG13.5G-AD18.5	AD18.5	PG13.5	12.0	12.5	26.0	46.5
C042205	SKN-PG16B-AD21.2	SKN-PG16G-AD21.2	AD21.2	PG16	13.0	14.5	29.5	50.0
C042206	SKN-PG21B-AD28.5	SKN-PG21G-AD28.5	AD28.5	PG21	14.0	18.5	37.0	53.0
C042207	SKN-PG29B-AD34.5	SKN-PG29G-AD34.5	AD34.5	PG29	15.0	25.5	44.0	58.0
C042208	SKN-PG36B-AD42.5	SKN-PG36G-AD42.5	AD42.5	PG36	17.0	33.5	52.0	61.0
C042209	SKN-PG48B-AD54.5	SKN-PG48G-AD54.5	AD54.5	PG48	20.0	45.0	64.0	72.0



Plastic Tightening Connectors

IP66



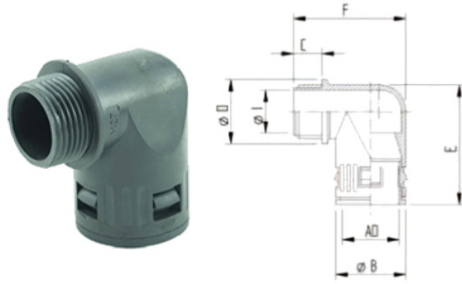
RoHS

**J-M (Metric Thread)**

Part No.	Item		Applicable Tubing Outer Φ	Thread	Length of Thread C mm	Smallest Inner Φ mm
	Black	Grey				
C042301	J-M12B-AD13.0	J-M12G-AD13.0	AD13.0	M12x1.5	8.0	14.0
C042302	J-M16B-AD13.0	J-M16G-AD13.0	AD13.0	M16x1.5	8.0	14.0
C042303	J-M18B-AD13.0	J-M18G-AD13.0	AD13.0	M18x1.5	8.0	14.0
C042304	J-M16B-AD15.8	J-M16G-AD15.8	AD15.8	M16x1.5	8.0	17.0
C042305	J-M18B-AD15.8	J-M18G-AD15.8	AD15.8	M18x1.5	8.0	17.0
C042306	J-M20B-AD15.8	J-M20G-AD15.8	AD15.8	M20x1.5	8.0	17.0
C042307	J-M18B-AD18.5	J-M18G-AD18.5	AD18.5	M18x1.5	8.0	19.0
C042308	J-M20B-AD18.5	J-M20G-AD18.5	AD18.5	M20x1.5	8.0	19.0
C042309	J-M20B-AD21.2	J-M20G-AD21.2	AD21.2	M20x1.5	8.0	22.0
C042310	J-M24B-AD21.2	J-M24G-AD21.2	AD21.2	M24x1.5	8.0	22.0
C042311	J-M25B-AD28.5	J-M25G-AD28.5	AD28.5	M25x1.5	10.0	29.0
C042312	J-M27B-AD28.5	J-M27G-AD28.5	AD28.5	M27x1.5	10.0	29.0
C042313	J-M30B-AD28.5	J-M30G-AD28.5	AD28.5	M30x1.5	10.0	29.0
C042314	J-M32B-AD28.5	J-M32G-AD28.5	AD28.5	M32x1.5	10.0	29.0
C042315	J-M32B-AD34.5	J-M32G-AD34.5	AD34.5	M32x1.5	10.0	35.0
C042316	J-M33B-AD34.5	J-M33G-AD34.5	AD34.5	M33x1.5	10.0	35.0
C042317	J-M36B-AD34.5	J-M36G-AD34.5	AD34.5	M36x1.5	10.0	35.0
C042318	J-M40B-AD42.5	J-M40G-AD42.5	AD42.5	M40x1.5	14.0	43.5
C042319	J-M42B-AD42.5	J-M42G-AD42.5	AD42.5	M42x1.5	14.0	43.5
C042320	J-M48B-AD42.5	J-M48G-AD42.5	AD42.5	M48x2.0	14.0	43.5
C042321	J-M63B-AD54.5	J-M63G-AD54.5	AD54.5	M63x1.5	16.0	55.0
C042322	J-M64B-AD54.5	J-M64G-AD54.5	AD54.5	M64x2.0	16.0	55.0

**J-PG (PG Thread)**

Part No.	Item		Applicable Tubing Outer Φ	Thread	Length of Thread C mm	Smallest Inner Φ mm
	Black	Grey				
C042401	J-PG7B-AD10.0	J-PG7G-AD10.0	AD10.0	PG7	8.0	11.0
C042402	J-PG9B-AD13.0	J-PG9G-AD13.0	AD13.0	PG9	8.0	14.0
C042403	J-PG11B-AD15.8	J-PG11G-AD15.8	AD15.8	PG11	8.0	17.0
C042404	J-PG13.5B-AD18.5	J-PG13.5G-AD18.5	AD18.5	PG13.5	8.0	19.0
C042405	J-PG16B-AD21.2	J-PG16G-AD21.2	AD21.2	PG16	8.0	22.0
C042406	J-PG21B-AD28.5	J-PG21G-AD28.5	AD28.5	PG21	10.0	29.0
C042407	J-PG29B-AD34.5	J-PG29G-AD34.5	AD34.5	PG29	10.0	35.0
C042408	J-PG36B-AD42.5	J-PG36G-AD42.5	AD42.5	PG36	14.0	43.5
C042409	J-PG48B-AD54.5	J-PG48G-AD54.5	AD54.5	PG48	16.0	55.0



Plastic Elbow Connectors,  
Quick Type

IP66



RoHS

### W-M (Metric Thread)

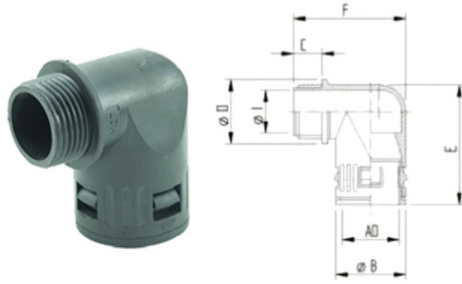
Part No.	Item		Applicable Tubing	Thread	Length of Thread C mm	Smallest Inner ΦI mm	Largest Outer ΦB mm	Total Length D mm
	Black	Grey						
C042501	W-M10B-AD10.0	W-M10G-AD10.0	AD10.0	M10x1.0	11.5	7.0	17.0	33.5
C042502	W-M12B-AD10.0	W-M12G-AD10.0	AD10.0	M12x1.5	11.5	8.0	17.0	33.5
C042503	W-M12B-AD13.0	W-M12G-AD13.0	AD13.0	M12x1.5	11.5	8.0	20.0	38.5
C042504	W-M16B-AD13.0	W-M16G-AD13.0	AD13.0	M16x1.5	11.5	11.0	20.0	38.5
C042505	W-M16B-AD15.8	W-M16G-AD15.8	AD15.8	M16x1.5	12.0	12.0	23.0	43.5
C042506	W-M18B-AD15.8	W-M18G-AD15.8	AD15.8	M18x1.5	12.0	14.0	23.0	43.5
C042507	W-M20B-AD15.8	W-M20G-AD15.8	AD15.8	M20x1.5	12.0	14.0	23.0	43.5
C042508	W-M20B-AD18.5	W-M20G-AD18.5	AD18.5	M20x1.5	13.0	15.5	26.0	47.5
C042509	W-M25B-AD18.5	W-M25G-AD18.5	AD18.5	M25x1.5	13.0	15.5	26.0	47.5
C042510	W-M16B-AD21.2	W-M16G-AD21.2	AD21.2	M16x1.5	13.0	15.0	29.5	51.5
C042511	W-M20B-AD21.2	W-M20G-AD21.2	AD21.2	M20x1.5	13.0	15.5	29.5	51.5
C042512	W-M24B-AD21.2	W-M24G-AD21.2	AD21.2	M24x1.5	13.0	18.0	29.5	51.5
C042513	W-M25B-AD21.2	W-M25G-AD21.2	AD21.2	M25x1.5	13.0	18.0	29.5	51.5
C042514	W-M25B-AD28.5	W-M25G-AD28.5	AD28.5	M25x1.5	13.0	20.5	37.0	59.0
C042515	W-M27B-AD28.5	W-M27G-AD28.5	AD28.5	M27x2.0	13.0	21.5	37.0	59.0
C042516	W-M30B-AD28.5	W-M30G-AD28.5	AD28.5	M30x2.0	13.0	23.5	37.0	59.0
C042517	W-M32B-AD28.5	W-M32G-AD28.5	AD28.5	M32x1.5	13.0	23.5	37.0	59.0
C042518	W-M32B-AD34.5	W-M32G-AD34.5	AD34.5	M32x1.5	15.0	25.0	44.0	70.5
C042519	W-M33B-AD34.5	W-M33G-AD34.5	AD34.5	M33x2.0	15.0	25.0	44.0	70.5
C042520	W-M36B-AD34.5	W-M36G-AD34.5	AD34.5	M36x2.0	15.0	31.0	44.0	70.5
C042521	W-M40B-AD42.5	W-M40G-AD42.5	AD42.5	M40x1.5	15.0	32.0	52.0	81.0
C042522	W-M50B-AD54.5	W-M50G-AD54.5	AD54.5	M50x1.5	16.0	43.0	64.0	91.0
C042523	W-M63B-AD54.5	W-M63G-AD54.5	AD54.5	M63x1.5	16.0	48.5	64.0	91.0

### W-PG (PG Thread)

Part No.	Item		Applicable Tubing	Thread	Length of Thread C mm	Smallest Inner ΦI mm	Largest Outer ΦB mm	Total Length D mm
	Black	Grey						
C042601	W-PG7B-AD10.0	W-PG7G-AD10.0	AD10.0	PG7	11.5	8.5	17.0	34.0
C042602	W-PG9B-AD13.0	W-PG9G-AD13.0	AD13.0	PG9	11.5	11.0	20.0	38.5
C042603	W-PG11B-AD15.8	W-PG11G-AD15.8	AD15.8	PG11	12.0	14.0	23.0	43.5
C042604	W-PG13.5B-AD18.5	W-PG13.5G-AD18.5	AD18.5	PG13.5	13.0	15.5	26.0	47.5
C042605	W-PG16B-AD21.2	W-PG16G-AD21.2	AD21.2	PG16	13.0	18.0	29.5	51.5
C042606	W-PG21B-AD28.5	W-PG21G-AD28.5	AD28.5	PG21	13.0	23.5	37.0	59.0
C042607	W-PG29B-AD34.5	W-PG29G-AD34.5	AD34.5	PG29	15.0	31.0	44.0	70.0
C042608	W-PG36B-AD42.5	W-PG36G-AD42.5	AD42.5	PG36	15.0	36.0	52.0	81.0
C042609	W-PG48B-AD54.5	W-PG48G-AD54.5	AD54.5	PG48	16.0	48.5	64.0	91.0

### W-G (G Thread)

Part No.	Item		Applicable Tubing	Thread	Length of Thread C mm	Smallest Inner ΦI mm	Largest Outer ΦB mm	Total Length D mm
	Black	Grey						
C042701	W-G1/4B-AD10.0	W-G1/4B-AD10.0	AD10.0	G1/4"	12.0	8.5	17.0	34.0
C042702	W-G3/8B-AD13.0	W-G3/8B-AD13.0	AD13.0	G3/8"	12.0	11.0	20.0	38.5
C042703	W-G3/8B-AD15.8	W-G3/8B-AD15.8	AD15.8	G3/8"	12.0	12.0	23.0	43.5
C042704	W-G1/2B-AD15.8	W-G1/2B-AD15.8	AD15.8	G1/2"	12.0	14.0	23.0	43.5
C042705	W-G1/2B-AD21.2	W-G1/2B-AD21.2	AD21.2	G1/2"	13.0	15.5	29.5	51.0
C042706	W-G3/4B-AD28.5	W-G3/4B-AD28.5	AD28.5	G3/4"	13.0	21.5	37.0	59.0
C042707	W-G1B-AD34.5	W-G1B-AD34.5	AD34.5	G1"	15.0	25.0	44.0	70.0
C042708	W-G1 1/4B-AD42.5	W-G1 1/4B-AD42.5	AD42.5	G1 1/4"	15.0	36.0	52.0	81.0
C042709	W-G1 1/2B-AD54.5	W-G1 1/2B-AD54.5	AD54.5	G1 1/2"	16.0	39.0	64.0	91.0



Plastic Elbow Connectors,  
Quick Type

IP68



RoHS

### WR-M (Metric Thread)

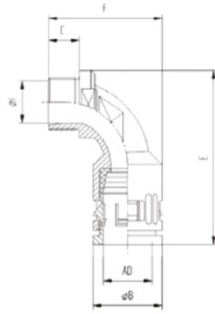
Part No.	Item		Applicable Tubing Outer $\Phi$	Thread	Length of Thread C mm	Smallest Inner $\Phi$ mm	Largest Outer $\Phi$ mm	Total Length D mm
	Black	Grey						
C042801	WR-M10B-AD10.0	WR-M10G-AD10.0	AD10.0	M10x1.0	11.5	7.0	17.0	33.5
C042802	WR-M12B-AD10.0	WR-M12G-AD10.0	AD10.0	M12x1.5	11.5	8.0	17.0	33.5
C042803	WR-M12B-AD13.0	WR-M12G-AD13.0	AD13.0	M12x1.5	11.5	8.0	20.0	38.5
C042804	WR-M16B-AD13.0	WR-M16G-AD13.0	AD13.0	M16x1.5	11.5	11.0	20.0	38.5
C042805	WR-M16B-AD15.8	WR-M16G-AD15.8	AD15.8	M16x1.5	12.0	12.0	23.0	43.5
C042806	WR-M18B-AD15.8	WR-M18G-AD15.8	AD15.8	M18x1.5	12.0	14.0	23.0	43.5
C042807	WR-M20B-AD15.8	WR-M20G-AD15.8	AD15.8	M20x1.5	12.0	14.0	23.0	43.5
C042808	WR-M20B-AD18.5	WR-M20G-AD18.5	AD18.5	M20x1.5	13.0	15.5	26.0	47.5
C042809	WR-M25B-AD18.5	WR-M25G-AD18.5	AD18.5	M25x1.5	13.0	15.5	26.0	47.5
C042810	WR-M16B-AD21.2	WR-M16G-AD21.2	AD21.2	M16x1.5	13.0	15.0	29.5	51.5
C042811	WR-M20B-AD21.2	WR-M20G-AD21.2	AD21.2	M20x1.5	13.0	15.5	29.5	51.5
C042812	WR-M24B-AD21.2	WR-M24G-AD21.2	AD21.2	M24x1.5	13.0	18.0	29.5	51.5
C042813	WR-M25B-AD21.2	WR-M25G-AD21.2	AD21.2	M25x1.5	13.0	18.0	29.5	51.5
C042814	WR-M25B-AD28.5	WR-M25G-AD28.5	AD28.5	M25x1.5	13.0	20.5	37.0	59.0
C042815	WR-M27B-AD28.5	WR-M27G-AD28.5	AD28.5	M27x2.0	13.0	21.5	37.0	59.0
C042816	WR-M30B-AD28.5	WR-M30G-AD28.5	AD28.5	M30x2.0	13.0	23.5	37.0	59.0
C042817	WR-M32B-AD28.5	WR-M32G-AD28.5	AD28.5	M32x1.5	13.0	23.5	37.0	59.0
C042818	WR-M32B-AD34.5	WR-M32G-AD34.5	AD34.5	M32x1.5	15.0	25.0	44.0	70.5
C042819	WR-M33B-AD34.5	WR-M33G-AD34.5	AD34.5	M33x2.0	15.0	25.0	44.0	70.5
C042820	WR-M36B-AD34.5	WR-M36G-AD34.5	AD34.5	M36x2.0	15.0	31.0	44.0	70.5
C042821	WR-M40B-AD42.5	WR-M40G-AD42.5	AD42.5	M40x1.5	15.0	32.0	52.0	81.0
C042822	WR-M50B-AD54.5	WR-M50G-AD54.5	AD54.5	M50x1.5	16.0	43.0	64.0	91.0
C042823	WR-M63B-AD54.5	WR-M63G-AD54.5	AD54.5	M63x1.5	16.0	48.5	64.0	91.0

### WR-PG (PG Thread)

Part No.	Item		Applicable Tubing Outer $\Phi$	Thread	Length of Thread C mm	Smallest Inner $\Phi$ mm	Largest Outer $\Phi$ mm	Total Length D mm
	Black	Grey						
C042901	WR-PG7B-AD10.0	WR-PG7G-AD10.0	AD10.0	PG7	11.5	8.5	17.0	34.0
C042902	WR-PG9B-AD13.0	WR-PG9G-AD13.0	AD13.0	PG9	11.5	11.0	20.0	38.5
C042903	WR-PG11B-AD15.8	WR-PG11G-AD15.8	AD15.8	PG11	12.0	14.0	23.0	43.5
C042904	WR-PG13.5B-AD18.5	WR-PG13.5G-AD18.5	AD18.5	PG13.5	13.0	15.5	26.0	47.5
C042905	WR-PG16B-AD21.2	WR-PG16G-AD21.2	AD21.2	PG16	13.0	18.0	29.5	51.5
C042906	WR-PG21B-AD28.5	WR-PG21G-AD28.5	AD28.5	PG21	13.0	23.5	37.0	59.0
C042907	WR-PG29B-AD34.5	WR-PG29G-AD34.5	AD34.5	PG29	15.0	31.0	44.0	70.0
C042908	WR-PG36B-AD42.5	WR-PG36G-AD42.5	AD42.5	PG36	15.0	36.0	52.0	81.0
C042909	WR-PG48B-AD54.5	WR-PG48G-AD54.5	AD54.5	PG48	16.0	48.5	64.0	91.0

### WR-G (G Thread)

Part No.	Item		Applicable Tubing Outer $\Phi$	Thread	Length of Thread C mm	Smallest Inner $\Phi$ mm	Largest Outer $\Phi$ mm	Total Length D mm
	Black	Grey						
C043001	WR-G1/4B-AD10.0	WR-G1/4B-AD10.0	AD10.0	G 1/4"	12.0	8.5	17.0	34.0
C043002	WR-G3/8B-AD13.0	WR-G3/8B-AD13.0	AD13.0	G3/8"	12.0	11.0	20.0	38.5
C043003	WR-G3/8B-AD15.8	WR-G3/8B-AD15.8	AD15.8	G3/8"	12.0	12.0	23.0	43.5
C043004	WR-G1/2B-AD15.8	WR-G1/2B-AD15.8	AD15.8	G1/2"	12.0	14.0	23.0	43.5
C043005	WR-G1/2B-AD21.2	WR-G1/2B-AD21.2	AD21.2	G1/2"	13.0	15.5	29.5	51.0
C043006	WR-G3/4B-AD28.5	WR-G3/4B-AD28.5	AD28.5	G3/4"	13.0	21.5	37.0	59.0
C043007	WR-G1B-AD34.5	WR-G1B-AD34.5	AD34.5	G1"	15.0	25.0	44.0	70.0
C043008	WR-G1 1/4B-AD42.5	WR-G1 1/4B-AD42.5	AD42.5	G1 1/4"	15.0	36.0	52.0	81.0
C043009	WR-G1 1/2B-AD54.5	WR-G1 1/2B-AD54.5	AD54.5	G1 1/2"	16.0	39.0	64.0	91.0



Plastic 90 Bend Connector,  
Quick Type

IP66



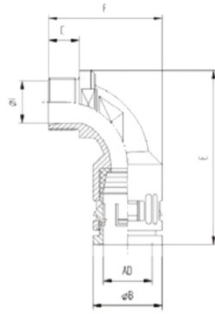
RoHS

**B90-M (Metric Thread)**

Part No.	Item		Applicable Tubing Outer $\Phi$	Thread	Length of Thread C mm	Smallest Inner $\Phi$ mm	Largest Outer $\Phi$ mm	Total Length D mm
	Black	Grey						
C043101	B90-M10B-AD10.0	B90-M10G-AD10.0	AD10.0	M10x1.0	8.0	7.5	17.5	46.0
C043102	B90-M12B-AD13.0	B90-M12G-AD13.0	AD13.0	M12x1.5	10.0	10.5	20.5	56.0
C043103	B90-M16B-AD15.8	B90-M16G-AD15.8	AD15.8	M16x1.5	10.0	14.0	23.0	60.0
C043104	B90-M20B-AD18.5	B90-M20G-AD18.5	AD18.5	M20x1.5	10.0	16.0	28.0	69.0
C043105	B90-M20B-AD21.2	B90-M20G-AD21.2	AD21.2	M20x1.5	12.0	17.0	30.0	73.0
C043106	B90-M25B-AD25.5	B90-M25G-AD25.5	AD25.5	M25x1.5	12.0	22.5	34.0	80.0
C043107	B90-M25B-AD28.5	B90-M25G-AD28.5	AD28.5	M25x1.5	12.0	22.5	37.0	82.0
C043108	B90-M32B-AD34.5	B90-M32G-AD34.5	AD34.5	M32x1.5	12.0	30.0	44.0	96.0
C043109	B90-M40B-AD42.5	B90-M40G-AD42.5	AD42.5	M40x1.5	12.0	37.0	53.0	108.0
C043110	B90-M50B-AD54.5	B90-M50G-AD54.5	AD54.5	M50x1.5	14.5	48.0	67.0	126.0

**B90-PG (PG Thread)**

Part No.	Item		Applicable Tubing Outer $\Phi$	Thread	Length of Thread C mm	Smallest Inner $\Phi$ mm	Largest Outer $\Phi$ mm	Total Length D mm
	Black	Grey						
C043201	B90-PG7B-AD10.0	B90-PG7G-AD10.0	AD10.0	PG7	8.0	7.5	17.5	46.0
C043202	B90-PG9B-AD13.0	B90-PG9G-AD13.0	AD13.0	PG9	10.0	10.5	20.5	56.0
C043203	B90-PG11B-AD15.8	B90-PG11G-AD15.8	AD15.8	PG11	10.0	14.0	23.0	60.0
C043204	B90-PG13.5B-AD18.5	B90-PG13.5G-AD18.5	AD18.5	PG13.5	10.0	16.0	28.0	69.0
C043205	B90-PG16B-AD21.2	B90-PG16G-AD21.2	AD21.2	PG16	12.0	17.0	30.0	73.0
C043206	B90-PG21B-AD25.5	B90-PG21G-AD25.5	AD25.5	PG21	12.0	22.5	34.0	80.0
C043207	B90-PG21B-AD28.5	B90-PG21G-AD28.5	AD28.5	PG21	12.0	22.5	37.0	82.0
C043208	B90-PG29B-AD34.5	B90-PG29G-AD34.5	AD34.5	PG29	12.0	30.0	44.0	96.0
C043209	B90-PG36B-AD42.5	B90-PG36G-AD42.5	AD42.5	PG36	12.0	37.0	53.0	108.0
C043210	B90-PG48B-AD54.5	B90-PG48G-AD54.5	AD54.5	PG48	14.5	48.0	67.0	126.0



Plastic 90 Bend Connector,  
Quick Type

IP68



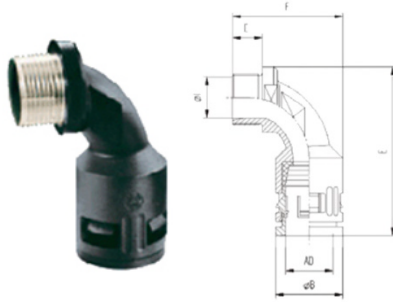
RoHS

**B90R-M (Metric Thread)**

Part No.	Item		Applicable Tubing Outer $\Phi$	Thread	Length of Thread C mm	Smallest Inner $\Phi$ mm	Largest Outer $\Phi$ mm	Total Length E mm
	Black	Grey						
C043301	B90R-M10B-AD10.0	B90R-M10G-AD10.0	AD10.0	M10x1.0	8.0	7.5	17.5	46.0
C043302	B90R-M12B-AD13.0	B90R-M12G-AD13.0	AD13.0	M12x1.5	10.0	10.5	20.5	56.0
C043303	B90R-M16B-AD15.8	B90R-M16G-AD15.8	AD15.8	M16x1.5	10.0	14.0	23.0	60.0
C043304	B90R-M20B-AD18.5	B90R-M20G-AD18.5	AD18.5	M20x1.5	10.0	16.0	28.0	69.0
C043305	B90R-M20B-AD21.2	B90R-M20G-AD21.2	AD21.2	M20x1.5	12.0	17.0	30.0	73.0
C043306	B90R-M25B-AD25.5	B90R-M25G-AD25.5	AD25.5	M25x1.5	12.0	22.5	34.0	80.0
C043307	B90R-M25B-AD28.5	B90R-M25G-AD28.5	AD28.5	M25x1.5	12.0	22.5	37.0	82.0
C043308	B90R-M32B-AD34.5	B90R-M32G-AD34.5	AD34.5	M32x1.5	12.0	30.0	44.0	96.0
C043309	B90R-M40B-AD42.5	B90R-M40G-AD42.5	AD42.5	M40x1.5	12.0	37.0	53.0	108.0
C043310	B90R-M50B-AD54.5	B90R-M50G-AD54.5	AD54.5	M50x1.5	14.5	48.0	67.0	126.0

**B90R-PG (PG Thread)**

Part No.	Item		Applicable Tubing Outer $\Phi$	Thread	Length of Thread C mm	Smallest Inner $\Phi$ mm	Largest Outer $\Phi$ mm	Total Length E mm
	Black	Grey						
C043401	B90R-PG7B-AD10.0	B90R-PG7G-AD10.0	AD10.0	PG7	8.0	7.5	17.5	46.0
C043402	B90R-PG9B-AD13.0	B90R-PG9G-AD13.0	AD13.0	PG9	10.0	10.5	20.5	56.0
C043403	B90R-PG11B-AD15.8	B90R-PG11G-AD15.8	AD15.8	PG11	10.0	14.0	23.0	60.0
C043404	B90R-PG13.5B-AD18.5	B90R-PG13.5G-AD18.5	AD18.5	PG13.5	10.0	16.0	28.0	69.0
C043405	B90R-PG16B-AD21.2	B90R-PG16G-AD21.2	AD21.2	PG16	12.0	17.0	30.0	73.0
C043406	B90R-PG21B-AD25.5	B90R-PG21G-AD25.5	AD25.5	PG21	12.0	22.5	34.0	80.0
C043407	B90R-PG21B-AD28.5	B90R-PG21G-AD28.5	AD28.5	PG21	12.0	22.5	37.0	82.0
C043408	B90R-PG29B-AD34.5	B90R-PG29G-AD34.5	AD34.5	PG29	12.0	30.0	44.0	96.0
C043409	B90R-PG36B-AD42.5	B90R-PG36G-AD42.5	AD42.5	PG36	12.0	37.0	53.0	108.0
C043410	B90R-PG48B-AD54.5	B90R-PG48G-AD54.5	AD54.5	PG48	14.5	48.0	67.0	126.0



Plastic 90 Bend Connector,  
Quick Type, Brass Thread

IP68



RoHS

**BK90R-M (Metric Thread)**

Part No.	Item		Applicable Tubing Outer $\Phi$	Thread	Length of Thread C mm	Smallest Inner $\Phi$ mm	Largest Outer $\Phi$ B mm	Total Length E mm
	Black	Grey						
C043501	BK90R-M12B-AD10.0	BK90R-M12G-AD10.0	AD10.0	M12x1.0	10.0	7.4	17.0	54.0
C043502	BK90R-M16B-AD13.0	BK90R-M16G-AD13.0	AD13.0	M16x1.5	12.0	8.5	20.0	58.0
C043503	BK90R-M20B-AD15.8	BK90R-M20G-AD15.8	AD15.8	M20x1.5	12.0	10.0	23.0	60.0
C043504	BK90R-M20B-AD18.5	BK90R-M20G-AD18.5	AD18.5	M20x1.5	12.0	11.5	26.0	66.0
C043505	BK90R-M20B-AD21.2	BK90R-M20G-AD21.2	AD21.2	M20x1.5	12.0	13.0	29.5	72.0
C043506	BK90R-M25B-AD25.5	BK90R-M25G-AD25.5	AD25.5	M25x1.5	13.0	16.0	34.0	84.0
C043507	BK90R-M25B-AD28.5	BK90R-M25G-AD28.5	AD28.5	M25x1.5	13.0	17.0	37.0	90.5
C043508	BK90R-M32B-AD34.5	BK90R-M32G-AD34.5	AD34.5	M32x1.5	14.0	24.5	44.0	97.0
C043509	BK90R-M40B-AD42.5	BK90R-M40G-AD42.5	AD42.5	M40x1.5	17.0	31.5	52.0	108.0
C043510	BK90R-M50B-AD54.5	BK90R-M50G-AD54.5	AD54.5	M50x1.5	17.0	37.5	64.0	118.0

**BK90R-PG (PG Thread)**

Part No.	Item		Applicable Tubing Outer $\Phi$	Thread	Length of Thread C mm	Smallest Inner $\Phi$ mm	Largest Outer $\Phi$ B mm	Total Length E mm
	Black	Grey						
C043601	BK90R-PG7B-AD10.0	BK90R-PG7G-AD10.0	AD10.0	PG7	10.0	7.9	17.0	57.0
C043602	BK90R-PG9B-AD13.0	BK90R-PG9G-AD13.0	AD13.0	PG9	12.0	9.0	20.0	59.5
C043603	BK90R-PG11B-AD15.8	BK90R-PG11G-AD15.8	AD15.8	PG11	12.0	10.0	23.0	62.0
C043604	BK90R-PG13.5B-AD18.5	BK90R-PG13.5G-AD18.5	AD18.5	PG13.5	12.0	12.5	25.0	64.0
C043605	BK90R-PG16B-AD21.2	BK90R-PG16G-AD21.2	AD21.2	PG16	13.0	15.0	29.5	73.0
C043606	BK90R-PG21B-AD25.5	BK90R-PG21G-AD25.5	AD25.5	PG21	14.0	18.5	34.0	81.0
C043607	BK90R-PG21B-AD28.5	BK90R-PG21G-AD28.5	AD28.5	PG21	14.0	20.0	37.0	85.0
C043608	BK90R-PG29B-AD34.5	BK90R-PG29G-AD34.5	AD34.5	PG29	14.0	30.0	44.0	100.5
C043609	BK90R-PG36B-AD42.5	BK90R-PG36G-AD42.5	AD42.5	PG36	17.0	39.0	52.0	111.0
C043610	BK90R-PG48B-AD54.5	BK90R-PG48G-AD54.5	AD54.5	PG48	17.0	45.5	64.0	124.5

Plastic Openable Connector

IP50



CE

RoHS

**SO-M (Metric Thread)**

Part No.	Item		Applicable Tubing Outer $\Phi$	Thread	Length of Thread C mm	Smallest Inner $\Phi$ mm	Total Length E mm
	Black	Grey					
C043701	SO-M16B-AD14.0	SO-M16G-AD14.0	AD14.0	M16x1.5	12.0	10.0	27.0
C043702	SO-M20B-AD19.8	SO-M20G-AD19.8	AD19.8	M20x1.5	13.0	14.0	30.0
C043703	SO-M25B-AD25.9	SO-M25G-AD25.9	AD25.9	M25x1.5	13.0	19.0	34.0
C043704	SO-M27B-AD25.9	SO-M27G-AD25.9	AD25.9	M27x2.0	13.0	20.5	34.0
C043705	SO-M32B-AD31.3	SO-M32G-AD31.3	AD31.3	M32x1.5	15.0	26.0	45.0
C043706	SO-M40B-AD41.9	SO-M40G-AD41.9	AD41.9	M40x1.5	15.0	30.0	45.0
C043707	SO-M50B-AD54.7	SO-M50G-AD54.7	AD54.7	M50x1.5	15.0	40.0	45.0

**SO-PG (PG Thread)**

Part No.	Item		Applicable Tubing Outer $\Phi$	Thread	Length of Thread C mm	Smallest Inner $\Phi$ mm	Total Length E mm
	Black	Grey					
C043801	SO-PG9B-AD14.0	SO-PG9G-AD14.0	AD14.0	PG9	12.0	10.0	27.0
C043802	SO-PG13.5B-AD19.8	SO-PG13.5G-AD19.8	AD19.8	PG13.5	13.0	14.0	30.0
C043803	SO-PG21B-AD25.9	SO-PG21G-AD25.9	AD25.9	PG21	13.0	20.5	34.0
C043804	SO-PG29B-AD31.3	SO-PG29G-AD31.3	AD31.3	PG29	15.0	30.0	45.0
C043805	SO-PG29B-AD41.9	SO-PG29G-AD41.9	AD41.9	PG29	15.0	30.0	45.0
C043806	SO-PG36B-AD54.7	SO-PG36G-AD54.7	AD54.7	PG36	15.0	40.0	45.0